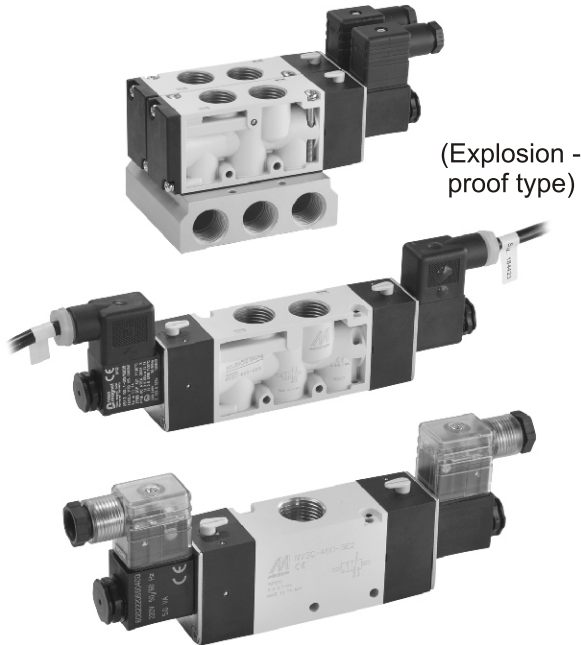


# MVSC-460 series

## SOLENOID VALVE

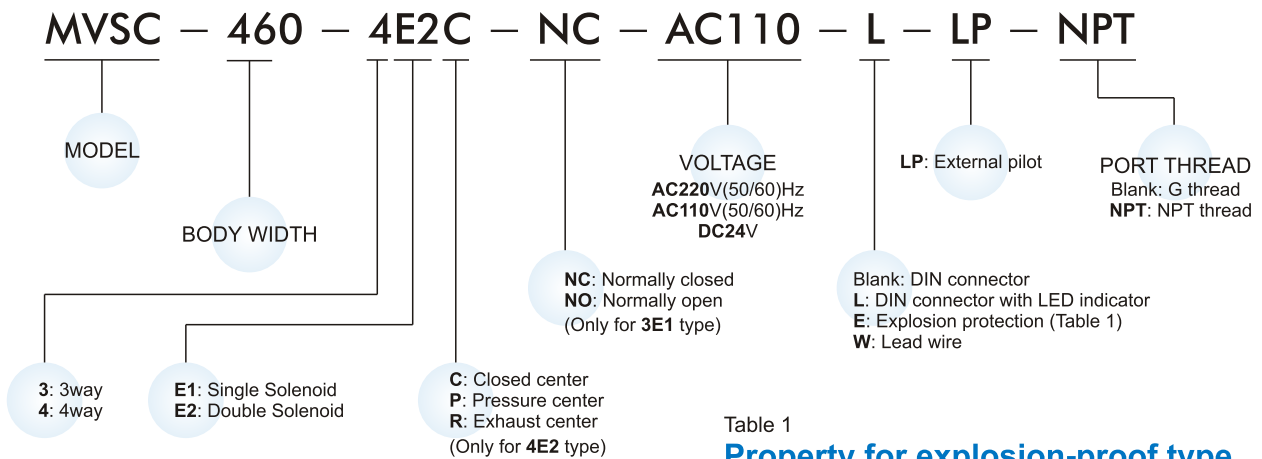


(Explosion - proof type)

### Specification

Model	3E1	3E2	4E1	4E2	4E2C.P.R
Bore No.	15A				
Port size	G1/2				
No. of port	3		5		
No. of position	2		2		3
Medium	Air				
Operating pressure range	0.2~0.7 MPa			0.3~0.7 MPa	
Operating pressure (LP)	0~0.7 MPa				
External pilot pressure (LP)	0.2~0.7 MPa			0.3~0.7 MPa	
Proof pressure	1.05 MPa				
Effective orifice	50 mm <sup>2</sup>			30 mm <sup>2</sup>	
Response time	50 ms				
Ambient temperature	- 5~ + 50°C (No freezing)				
Voltage	AC110V, 220V (50/60)Hz, DC24V				
Power consumption	<b>AC=4.8/4.4VA, 6/4.9VA, DC=2W</b>				
Available voltage range	± 10%				
Insulation class	F class				
Weight	353 g	437 g	330 g	452 g	634 g

### Order example of valve



### Order example of manifold

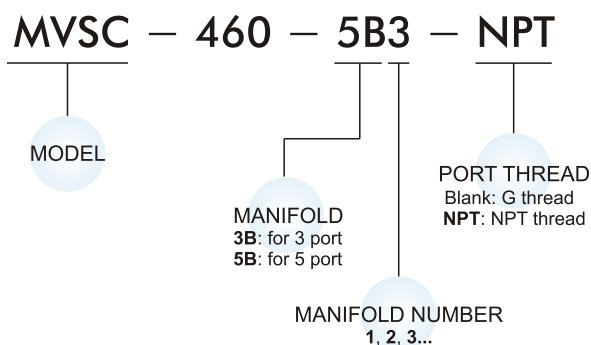


Table 1

### Property for explosion-proof type

Anti-explosion class	EEx m II T4
Voltage	AC110V, 220V, (50/60)Hz, DC24V.
Power consumption	AC=4.4VA DC=5W
Available voltage range	± 10%
Insulation class	F class

