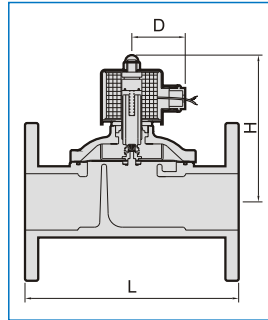
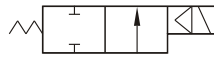
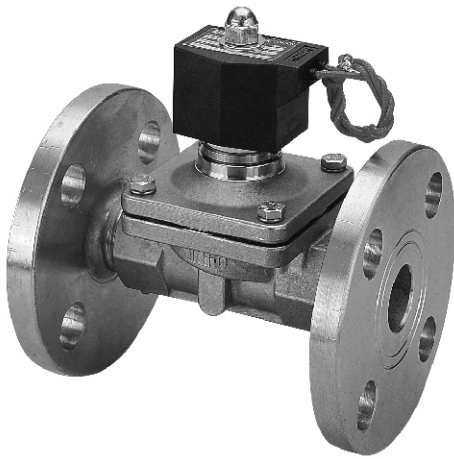


MSUW-F series Normally closed



SOLENOID VALVE

2-WAY normally closed / normally open solenoid valve.
Available fluid: Water, air & light oil.



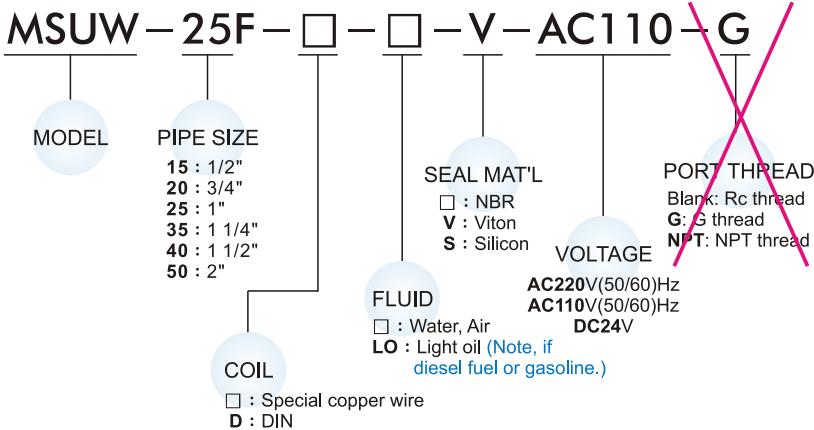
Specification

- MSUW-F series is direct multiplex-drive, connected to diaphragm, normal close / normal open.
- Valve body made of investment casting S/S 316.
- Can be operated directly without pressure.
- Other voltage of AC/DC available when required.
- Flange end: JIS 10K, ANSI 150LB or PN-16.
- Viton(130°C), Silicon(130°C), NBR(80°C.).
- AC Voltage tolerance: ±10%.
- DC Voltage tolerance: ±1%.

Material

Parts name	Material
Body	CF8M
Coil	Special copper wire (H)
Tube	Stainless steel
Spring	Stainless steel
Core	Stainless steel
Plug	NBR, Viton, Silicon
Diaphragm	NBR, Viton, Silicon

Order example



Caution

- Pipes must be washed neat and clean before fitted.
- A Y-STRAINER has to be installed in the front of solenoid valve, that is best for long life.

Not for fluid of

- Liquid when heat, solid when cool.
- Corrosive fluid.
- Viscosity over 20 cst.

Model	DIN	Pipe size	Cv	Orifice (mm)	Fluid temp	Max. operating pressure diff. MPa			Dimensions(mm)			Weight (kg)
						Water	Air	Light oil	L	H	D	
MSUW-15F	●	1/2"	4.5	15	-5~+80°C	0~0.5	0~0.7	0~0.5	110	100	36	1.9
MSUW-20F	●	3/4"	8.6	20	-5~+80°C	0~0.5	0~0.7	0~0.5	120	102	36	2.4
MSUW-25F	●	1"	12	25	-5~+80°C	0~0.5	0~0.7	0~0.5	150	106	36	3.6
MSUW-35F		1 1/4"	24	35	-5~+80°C	0~0.5	0~0.7	0~0.5	170	140	58	6.1
MSUW-40F		1 1/2"	28	40	-5~+80°C	0~0.5	0~0.7	0~0.5	170	140	58	6.4
MSUW-50F		2"	48	50	-5~+80°C	0~0.5	0~0.7	0~0.5	210	170	58	9.3

※ The pressure ratings indicated above are based on AC110V/220V. The maximum pressure may vary in case on DC/AC24V.

