

MACP302 series

AIR UNIT (F.R.L.UNIT)



Mindman

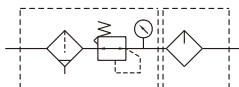
Specification

Model	MACP302		
Components	MAFR302, MAL302		
Bore No.	8A	10A	15A
Port size	1/4	3/8	1/2
Medium	Air		
Operating pressure range (※)	0.05~1 MPa		
Proof pressure	1.5 MPa		
Regulated pressure range	0.05~0.85 MPa		
Ambient temperature	-5~+60°C (No freezing)		
Filter element	Standard: 5 μm Option: 40 μm		
Lubricating oil capacity	65c.c		
Min. Flow for oil drip	50 ℓ/min	60 ℓ/min	
Recommended lubricating oil	Turbine oil ISO-VG32		
Attachment	Pressure gauge (PG-20), T-type bracket		
Weight	845 g		



Option: MP41

Symbol



※1. Standard unit contains semi-auto-drain function when operating pressure below 0.05 MPa.

※2. Choose auto-drain FMRF300, the pressure range is 0.15 ~ 1 MPa.

Order example

MACP302 - 8A - D - E1 - □ - T8 - □

MODEL

BORE SIZE

8A: 1/4
10A: 3/8
15A: 1/2

PRESSURE SWITCH

E1: MP41P-02
E2: MP41P-02-QD
E3: MP41P-02-J
E4: MP41P-02-QD-J
E5: MP41P-04
E6: MP41P-04-QD
E7: MP41P-04-J
E8: MP41P-04-QD-J

FILTER ELEMENT

Blank: 5 μm
40u: 40 μm

Module mounting bracket

T8: 1/4
T10: 3/8
T15: 1/2

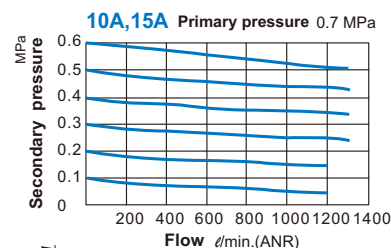
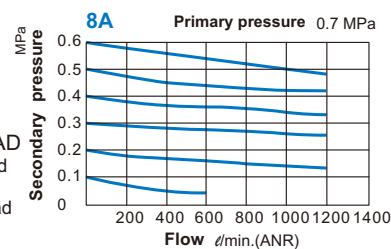
PORT THREAD

Blank: Rc thread
G: G thread
NPT: NPT thread

Blank: Standard type
C: External pressure gauge (PG-40)
D: Auto drain valve (FMRF300)
N: Nylon bowl

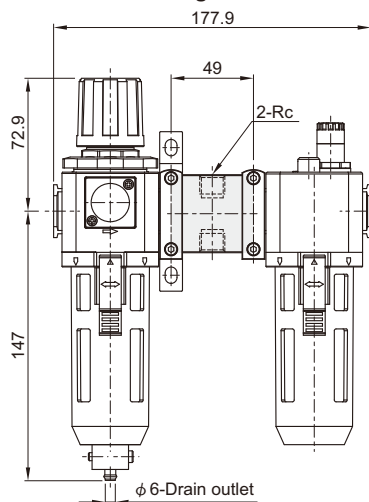
※ Refer to page 6-11 for the option of digital pressure switch MP41.

Flow feature



MACP302-T*

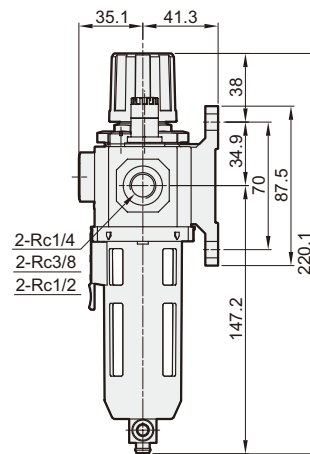
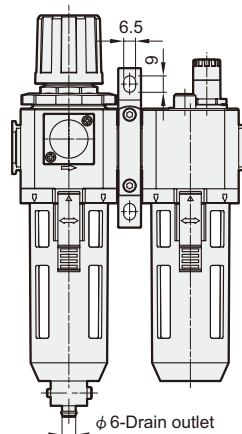
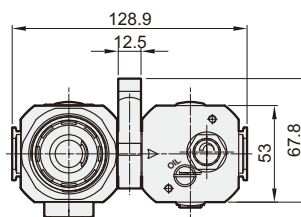
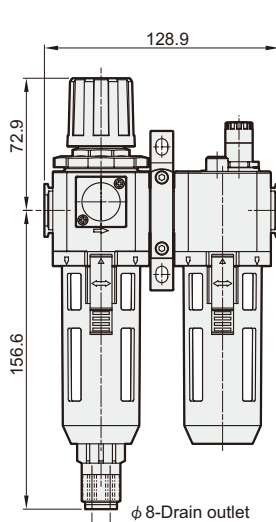
Module mounting bracket



	Rc
T8	Rc1/4
T10	Rc3/8
T15	Rc1/2

MACP302-D

Auto drain valve



MACP302-HT With shutoff valve

AIR UNIT (F.R.L.UNIT)



Order example

MACP302 – 8A – D – E1 – □ – HT – □

MODEL

BORE SIZE

8A: 1/4
10A: 3/8
15A: 1/2

Blank: Standard type
C: External pressure gauge (PG-40)
D: Auto drain valve (FMRF300)
N: Nylon bowl

PRESSURE SWITCH

E1: MP41P-02
E2: MP41P-02-QD
E3: MP41P-02-J
E4: MP41P-02-QD-J
E5: MP41P-04
E6: MP41P-04-QD
E7: MP41P-04-J
E8: MP41P-04-QD-J

※ Refer to page 6-11 for the option of digital pressure switch MP41.

FILTER ELEMENT

Blank: 5 μ m
40u: 40 μ m

SHUTOFF VALVE

HT: MVHT-302-3H

PORT THREAD

Blank: Rc thread
G: G thread
NPT: NPT thread

