

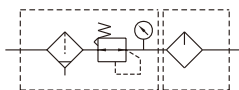
# MACP401 series

AIR UNIT (F.R.L.UNIT)



Option: MP41

## Symbol



## Specification

Model	MACP401		
Components	MAFR401, MAL401		
Bore No.	8A	10A	15A
Port size	1/4	3/8	1/2
Medium	Air		
Operating pressure range (※)	0.05~1.5 MPa		
Proof pressure	2 MPa		
Regulated pressure range	Standard type: 0.1~0.85 MPa		
	High pressure type: 0.1~1.5 MPa		
Ambient temperature	-5~+60°C (No freezing)		
Filter element	Standard: 40 μm Option: 5 μm		
Lubricating oil capacity	200 c.c		
Min. Flow for oil drip	30 ℓ/min	65 ℓ/min	80 ℓ/min
Recommended lubricating oil	Turbine oil ISO-VG32		
Attachment	Pressure gauge(PG-20), L-type bracket		
Weight	1518 g		

※1. Standard unit contains semi-auto-drain function when operating pressure below 0.05 MPa.

※2. Choose auto-drain FMRF300, the pressure range is 0.15 ~ 1 MPa.

## Order example

MACP401 - 8A - □ - □ - E1 - □ - T8 - □

MODEL

BORE SIZE

8A: 1/4  
10A: 3/8  
15A: 1/2

EXTERIOR COLOR

Blank: Black & silver  
W: Gray & white

Blank: Standard type  
C: External pressure gauge (PG-40)  
D: Auto drain valve (FMRF300)  
H: High pressure type  
(Required with external pressure gauge PG-40) (※1)  
P: Pressure switch (MPS series)

(※2)

PRESSURE SWITCH

E1: MP41P-02  
E2: MP41P-02-QD  
E3: MP41P-02-J  
E4: MP41P-02-QD-J  
E5: MP41P-04  
E6: MP41P-04-QD  
E7: MP41P-04-J  
E8: MP41P-04-QD-J

FILTER ELEMENT  
Blank: 40 μm  
5u: 5 μm

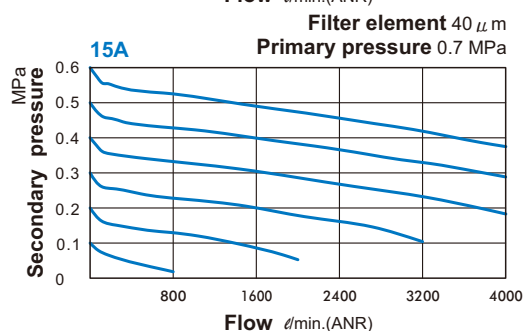
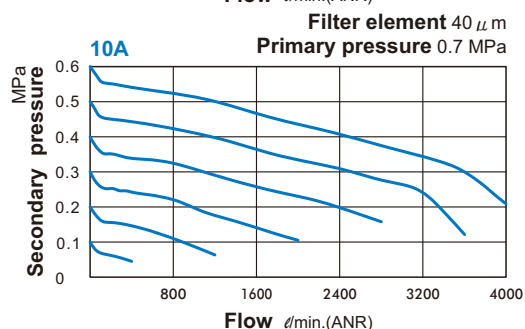
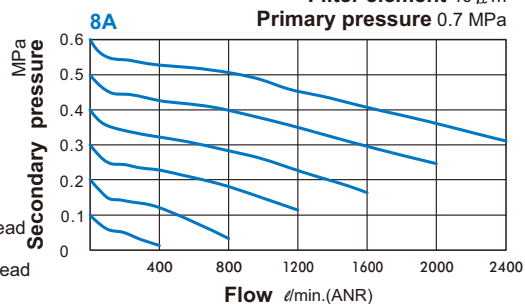
PORT THREAD  
Blank: Rc thread  
G: G thread  
NPT: NPT thread

BY-PASS BORE SIZE

T type bracket	T8 : 1/4 T10 : 3/8 T15 : 1/2
Check valve (※3)	K8 : 1/4 K10 : 3/8

## Flow feature

Filter element 40 μm  
Primary pressure 0.7 MPa



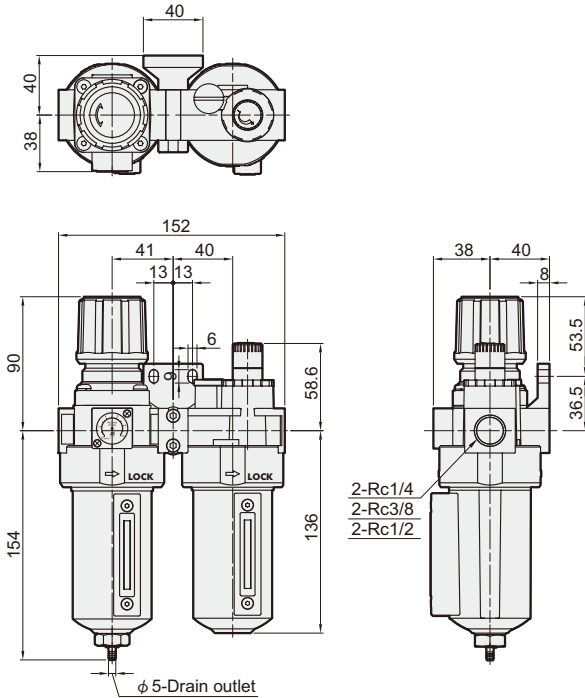
※1. (H) High pressure type can not choose with auto drain valve (FMRF300) when operating pressure over than 1 MPa.

※2. Refer to page 6-11 for the option of digital pressure switch MP41.

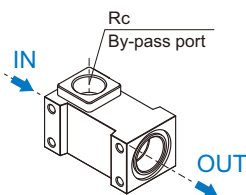
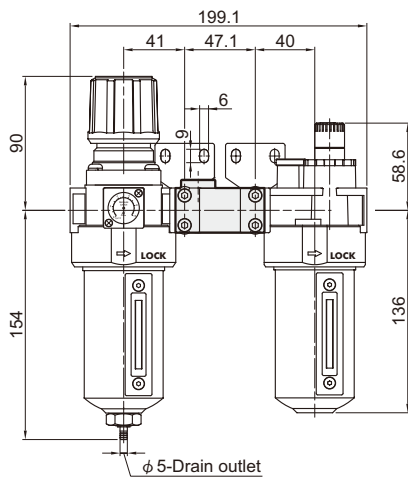
※3. Be sure to use above check valves when redirecting the air flow on the inlet side of the lubricator.

# MACP401 Dimensions

AIR UNIT (F.R.L.UNIT)



## MACP401-K\*

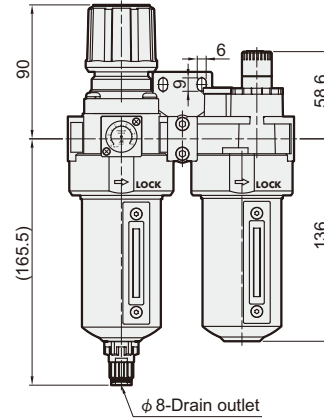


	Rc
K8	Rc1/4
K10	Rc3/8

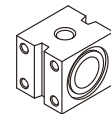
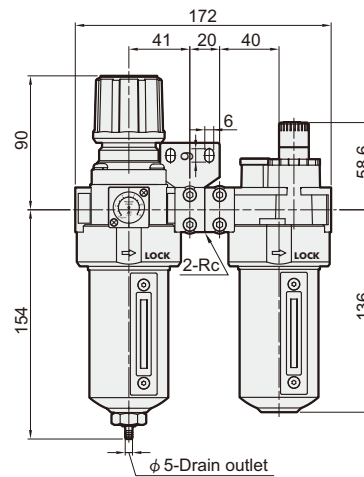
※ Threads for IN and OUT ports aren't machined.

## MACP401-D\*

Auto drain valve



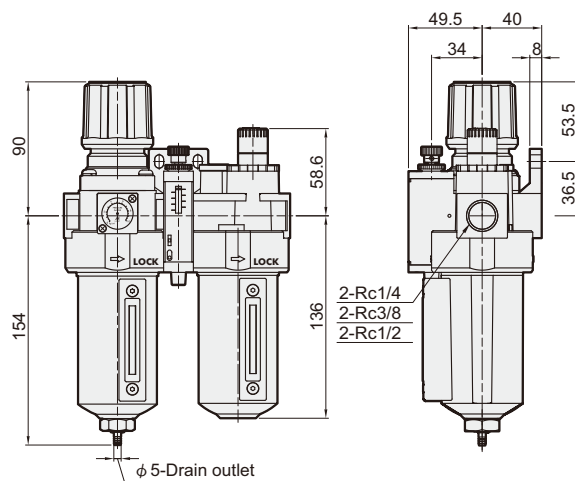
## MACP401-T\*



	Rc
T8	Rc1/4
T10	Rc3/8
T15	Rc1/2

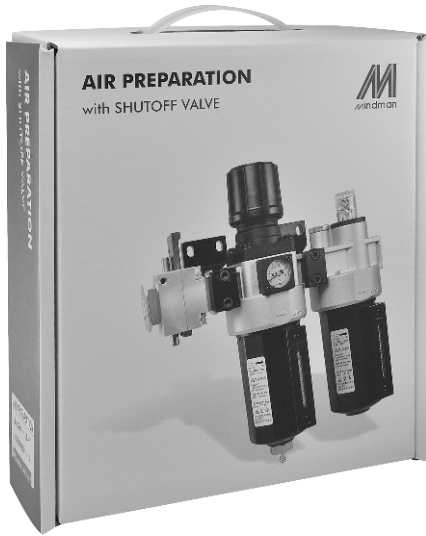
## MACP401-P

MPS Series  
pneumatic pressure switch



# MACP401-HT With shutoff valve

AIR UNIT (F.R.L.UNIT)



## Order example

MACP401 – 8A – □ – D – E1 – □ – HT – □

MODEL

BORE SIZE

8A: 1/4  
10A: 3/8  
15A: 1/2

EXTERIOR COLOR

Blank: Black & silver  
W: Gray & white

PRESSURE SWITCH

E1: MP41P-02  
E2: MP41P-02-QD  
E3: MP41P-02-J  
E4: MP41P-02-QD-J  
E5: MP41P-04  
E6: MP41P-04-QD  
E7: MP41P-04-J  
E8: MP41P-04-QD-J

FILTER ELEMENT

Blank: 5  $\mu$ m  
40u: 40  $\mu$ m

PORT THREAD

Blank: Rc thread  
G: G thread  
NPT: NPT thread

SHUTOFF VALVE

HT: MVHT-400-3H

Blank: Standard type  
C: External pressure gauge (PG-40)  
D: Auto drain valve (FMRF300)  
H: High pressure type (Required with external pressure gauge PG-40)  
P: Pressure switch (MPS series)

※ Refer to page 6-11 for the option of digital pressure switch MP41.

※ (H) High pressure type can not choose with auto drain valve (FMRF300) when operating pressure over than 1 MPa.

