

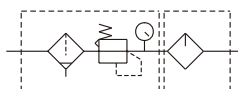
MACT401 series

AIR UNIT (F.R.L.UNIT)



Option: **MP41**

Symbol



Specification

Model	MACT401		
Components	MAF401, MAR401, MAL401		
Bore No.	8A	10A	15A
Port size	1/4	3/8	1/2
Medium	Air		
Operating pressure range (※)	0.05~1.5 MPa		
Proof pressure	2 MPa		
Regulated pressure range	Standard type:0.1~0.85 MPa		
	High pressure type:0.1~1.5 MPa		
Ambient temperature	-5~+60℃ (No freezing)		
Filter element	Standard: 40 μm Option: 5 μm		
Lubricating oil capacity	200 c.c		
Min. Flow for oil drip	30 ℓ/min	65 ℓ/min	80 ℓ/min
Recommended lubricating oil	Turbine oil ISO-VG32		
Attachment	Pressure gauge (PG-20), L-type bracket		
Weight	1821 g		

※1. Standard unit contains semi-auto-drain function when operating pressure below 0.05 MPa.

※2. Choose auto-drain FMRF300, the pressure range is 0.15 ~ 1 MPa.

Order example

MACT401 - 8A - □ - □ - E1 - □ - T8 - □

MODEL

BORE SIZE

8A: 1/4
10A: 3/8
15A: 1/2

EXTERIOR COLOR

Blank: Black & silver
W: Gray & white

Blank: Standard type
C: External pressure gauge (PG-40)
D: Auto drain valve (FMRF300)
H: High pressure type (Required with external pressure gauge PG-40) (※1)
P: Pressure switch (MPS series)
N: Nylon bowl

(※2)
PRESSURE SWITCH

E1: MP41P-02
E2: MP41P-02-QD
E3: MP41P-02-J
E4: MP41P-02-QD-J
E5: MP41P-04
E6: MP41P-04-QD
E7: MP41P-04-J
E8: MP41P-04-QD-J

FILTER ELEMENT

Blank: 40 μm
5u: 5 μm

PORT THREAD

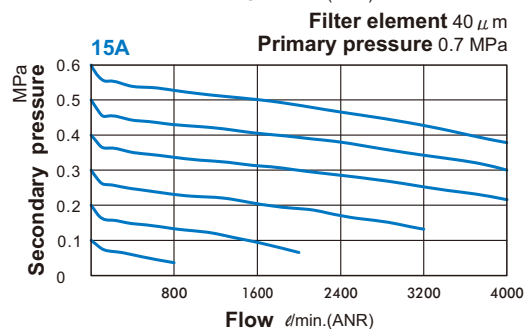
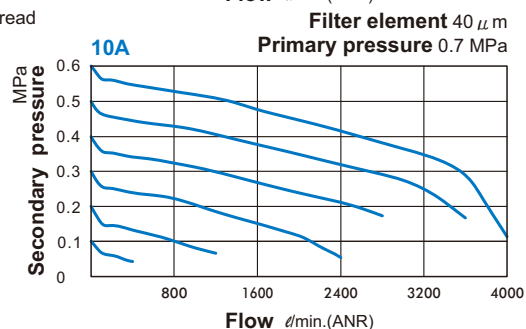
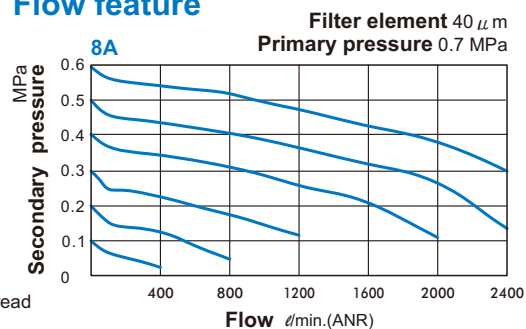
Blank: Rc thread
G: G thread
NPT: NPT thread

BY-PASS BORE SIZE

T type bracket	T8 : 1/4 T10 : 3/8 T15 : 1/2
Check valve (※3)	K8 : 1/4 K10 : 3/8

- ※1. (H) High pressure type can not choose with auto drain valve (FMRF300) when operating pressure over than 1 MPa.
 ※2. Refer to page 6-11 for the option of digital pressure switch **MP41**.
 ※3. Be sure to use above check valves when redirecting the air flow on the inlet side of the lubricator.

Flow feature

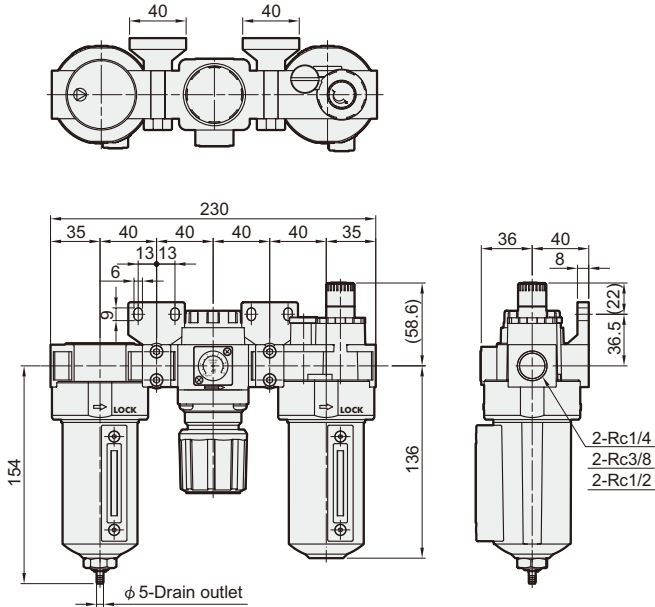


MACT401 Dimensions

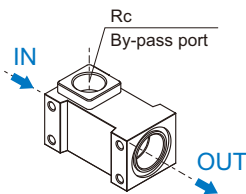
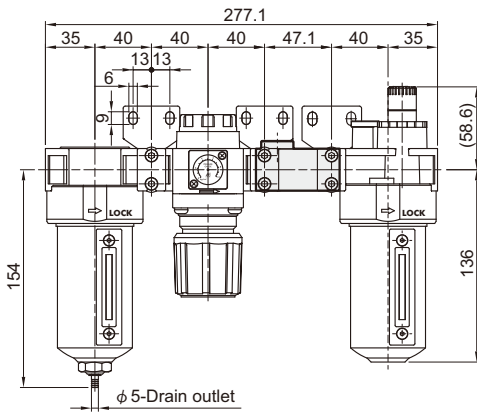
AIR UNIT (F.R.L.UNIT)



mindman



MACT401-K*

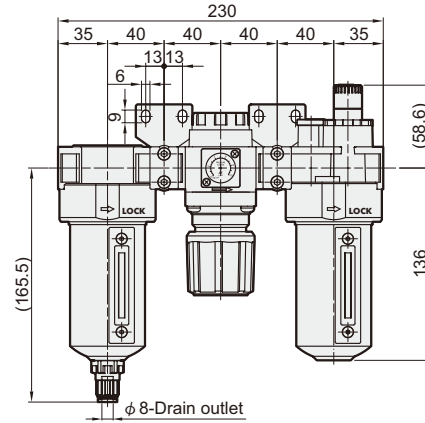


	Rc
K8	Rc1/4
K10	Rc3/8

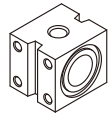
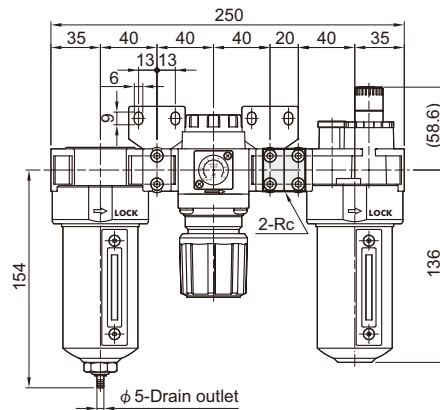
※ Threads for IN and OUT ports aren't machined.

MACT401-D*

Auto drain valve



MACT401-T*



	Rc
T8	Rc1/4
T10	Rc3/8
T15	Rc1/2

MACT401-P

MPS Series
pneumatic pressure switch

