

MAFR403 series

AIR UNIT (F.R.UNIT)

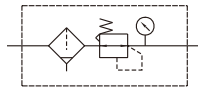


Mindman



Option: **MP41**

Symbol



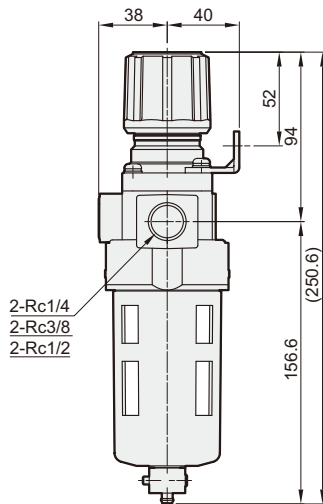
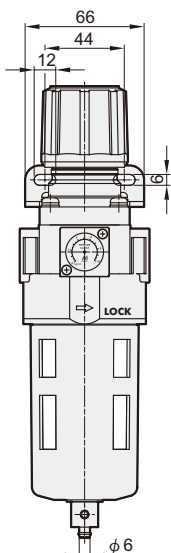
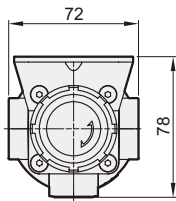
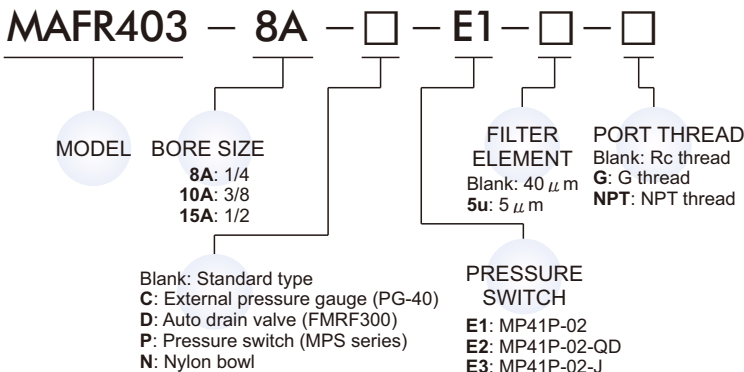
Specification

| Model | MAFR403 | | |
|------------------------------|--|-----|-----|
| Bore No. | 8A | 10A | 15A |
| Port size | 1/4 | 3/8 | 1/2 |
| Medium | Air | | |
| Operating pressure range (※) | 0.05~1 MPa | | |
| Proof pressure | 1.5 MPa | | |
| Regulated pressure range | 0.1~0.85 MPa | | |
| Ambient temperature | -5~+60°C (no freezing) | | |
| Filter element | Standard: 40 μm, Option: 5 μm | | |
| Attachment | Pressure gauge (PG-20), L-type bracket | | |
| Weight | 620 g | | |

※1. Standard unit contains semi-auto-drain function when operating pressure below 0.05 MPa.

※2. Choose auto-drain FMRF300, the pressure range is 0.15 ~ 1 MPa.

Order example



Flow feature

