



### Table for standard stroke

Tube I.D.	Stroke (mm)
φ 6	10, 20, 30, 40, 50
φ 8	10, 20, 30, 40, 50, 75
φ 12	10, 20, 30, 40, 50, 75, 100
φ 16	10, 20, 30, 40, 50, 75, 100, 125
φ 20, 25	10, 20, 30, 40, 50, 75, 100, 125, 150

※ Produce after received your orders.

### Features

- High precision combination of cylinder and linear rail.
- Flush fitting sensor groove.
- Magnetic as standard.

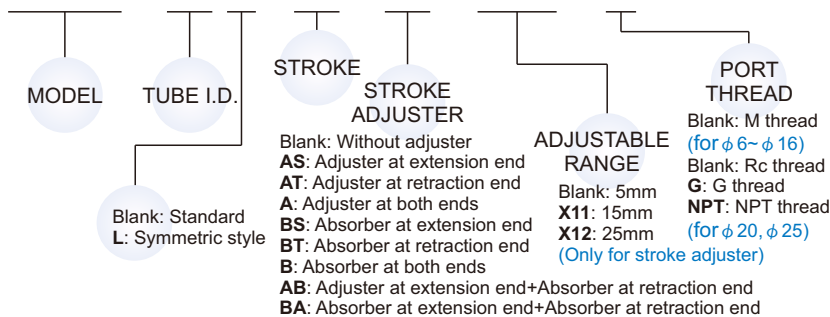
### Specification

Model	MCSS		
Acting type	Double acting		
Tube I.D. (mm)	6	8, 12, 16	20, 25
Port size	M3×0.5	M5×0.8	Rc1/8
Medium	Air		
Operating pressure range	0.15~0.7 MPa		
Proof pressure	1 MPa		
Ambient temperature	-5~+60°C (No freezing)		
Lubricator	Not required		
Available speed range	50~500 mm/sec		
Cushion	Rubber bumper (Standard) Shock absorber (Option)		
Sensor switch (※)	RCE, RCE1, RDEP		

※ RCE, RCE1, RDEP specification, please refer to page 8-10, 15.

### Order example

MCSS – 20 L – 50 – AS – X12 – □



\*X12 (adjustable range: 25mm) is not available for MCSS-6.

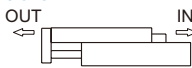
\*X11 and X12 are not available for shock absorber type.

\*Shock absorber is not available on series MCSS-6.

\*X11 and X12 adjusters cannot be ordered assembled with MCSS.

\*Refer to the above figures for the dimensions.

### Theoretical force



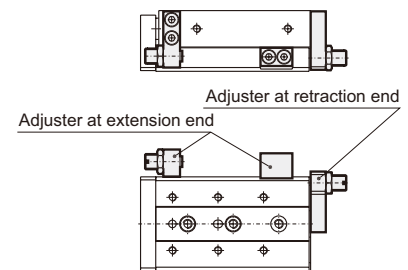
Unit: N

Tube I.D. (mm)	Piston rod (mm)	Operating direction	Piston area (mm <sup>2</sup> )	Operating pressure (MPa)						
				0.2	0.3	0.4	0.5	0.6	0.7	
6	3	OUT	57	11	17	23	29	34	40	
		IN	42	8	13	17	21	25	29	
8	4	OUT	101	20	30	40	51	61	71	
		IN	75	15	23	30	38	45	53	
12	6	OUT	226	45	68	90	113	136	158	
		IN	170	34	51	68	85	102	119	
16	8	OUT	402	80	121	161	201	241	281	
		IN	302	60	91	121	151	181	211	
20	10	OUT	628	126	188	251	314	377	400	
		IN	471	94	141	188	236	283	330	
25	12	OUT	982	196	295	393	491	589	687	
		IN	756	151	227	302	378	454	529	

### Stroke adjuster option

#### Stroke adjuster

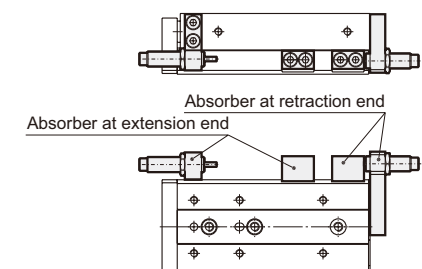
- Adjustable stroke range: 0~5mm
- AS**: Adjuster at extension end
- AT**: Adjuster at retraction end
- A**: Adjuster at both ends



#### With shock absorber

- Enables adjustment of stroke.
- Absorbs the collision at stroke end and stops smoothly.

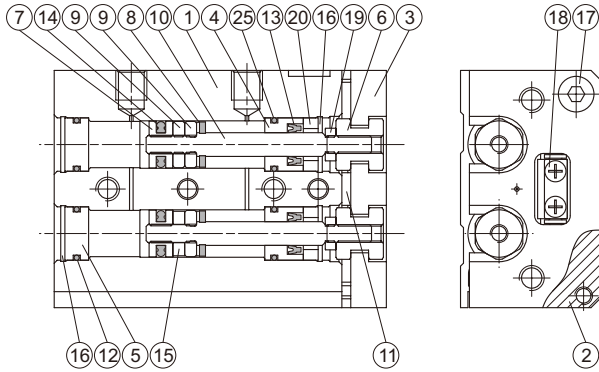
- BS**: Absorber at extension end
- BT**: Absorber at retraction end
- B**: Absorber at both ends



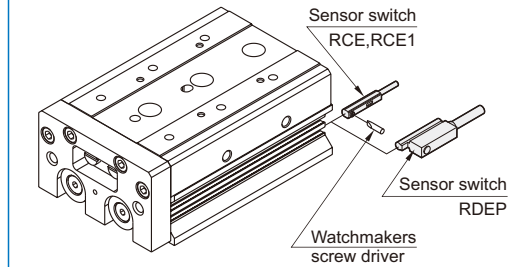
## SLIDE CYLINDER

Mindman

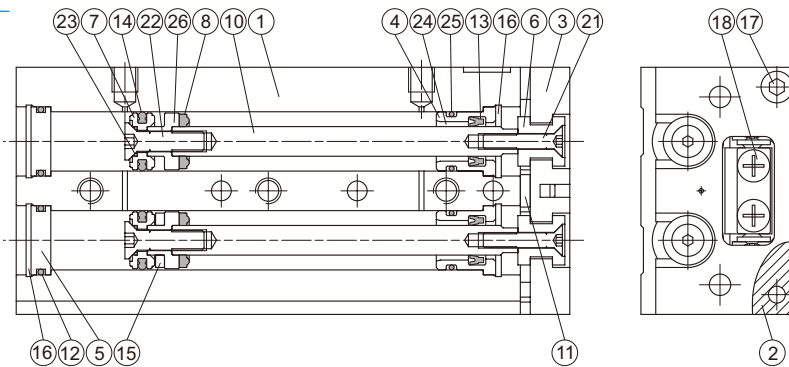
$\phi 6, \phi 8$



### Installation of sensor switch



$\phi 12 \sim \phi 25$



### Order example of repair kits

Tube I.D.	Repair kits
$\phi 6$	<b>PS-MCSS-6</b>
$\phi 8$	<b>PS-MCSS-8</b>
$\phi 12$	<b>PS-MCSS-12</b>
$\phi 16$	<b>PS-MCSS-16</b>
$\phi 20$	<b>PS-MCSS-20</b>
$\phi 25$	<b>PS-MCSS-25</b>

**Material** ※1. Aluminum alloy ※2. Stainless steel ※3. Spring steel ※4. Bearing alloy

No.	Part name	Tube I.D.			Q'y	Repair kits (inclusion)
		6	8	12~25		
1	Body	Aluminum alloy			1	
2	Table	Aluminum alloy			1	
3	Plate	Aluminum alloy			1	
4	Rod cover	Aluminum alloy			2	
5	Head cover	Aluminum alloy			2	
6	Floating connector	Stainless steel			2	
7	Piston	Stainless steel	※1		2	
8	Cushion pad	NBR			2	●
9	Spacer ring	※1	※2	—	3	
10	Piston rod	Stainless steel			2	
11	End cushion	PU			1	●
12	Cover ring	NBR			2	●
13	Rod packing	NBR			2	●
14	Piston packing	NBR			2	●
15	Magnet ring	Magnet material			1	
16	Snap ring	※3	Stainless steel		4	
17	Bolt	Stainless steel			2 or 4	
18	Slide way	Bearing steel			1	
19	Nut	Copper			2	

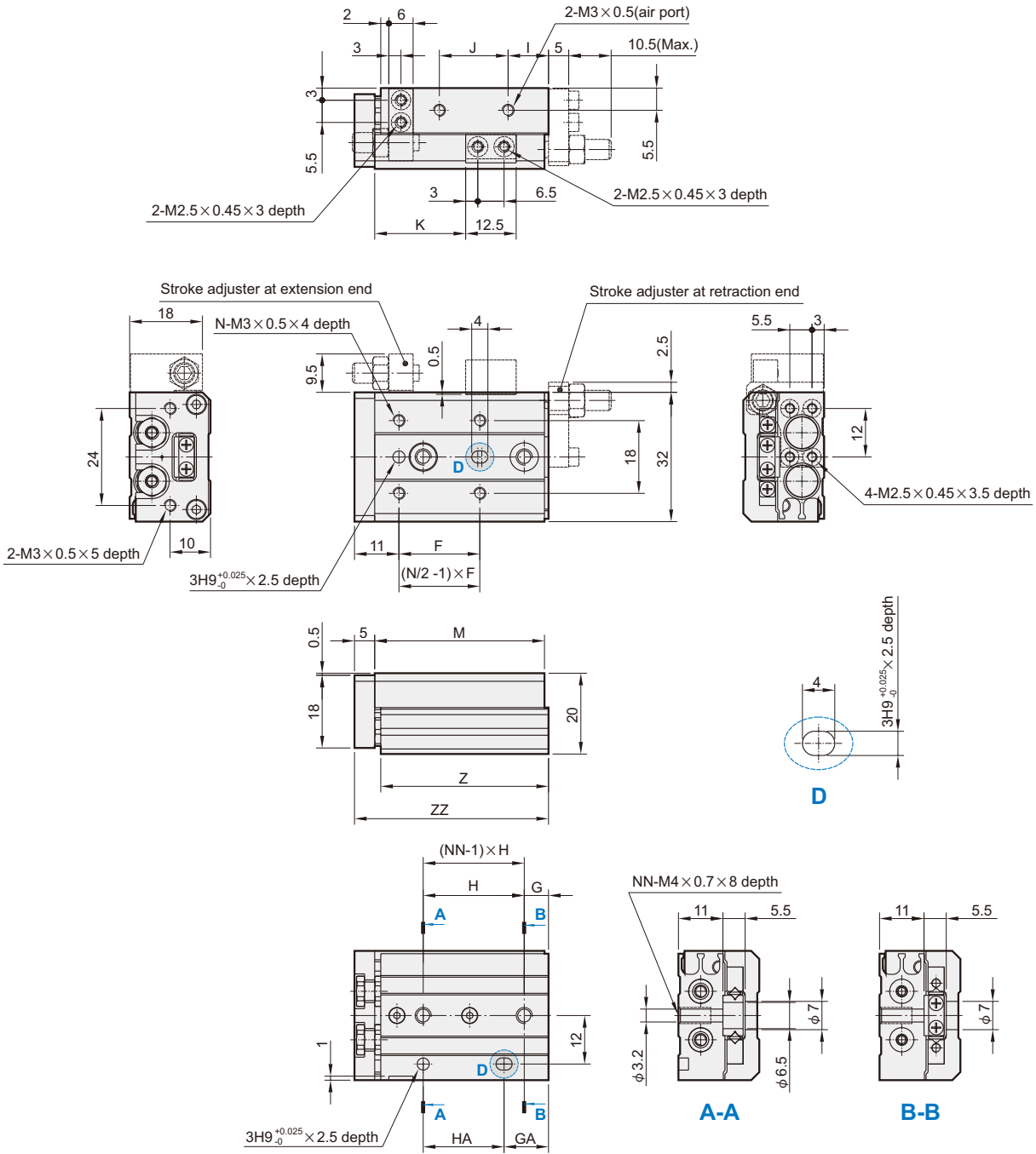
No.	Part name	Tube I.D.			Q'y	Repair kits (inclusion)
		6	8	12~25		
20	Rod cover washer	Stainless steel			2	
21	Floating connector bolt	—			※2	2
22	Piston screw	—			※2	2
23	Piston gasket	—			NBR	2 ●
24	Rod bush	—			※4	2
25	Cover ring	NBR			2	●
26	Piston for magnet ring	—			※1	2

### Cylinder weight

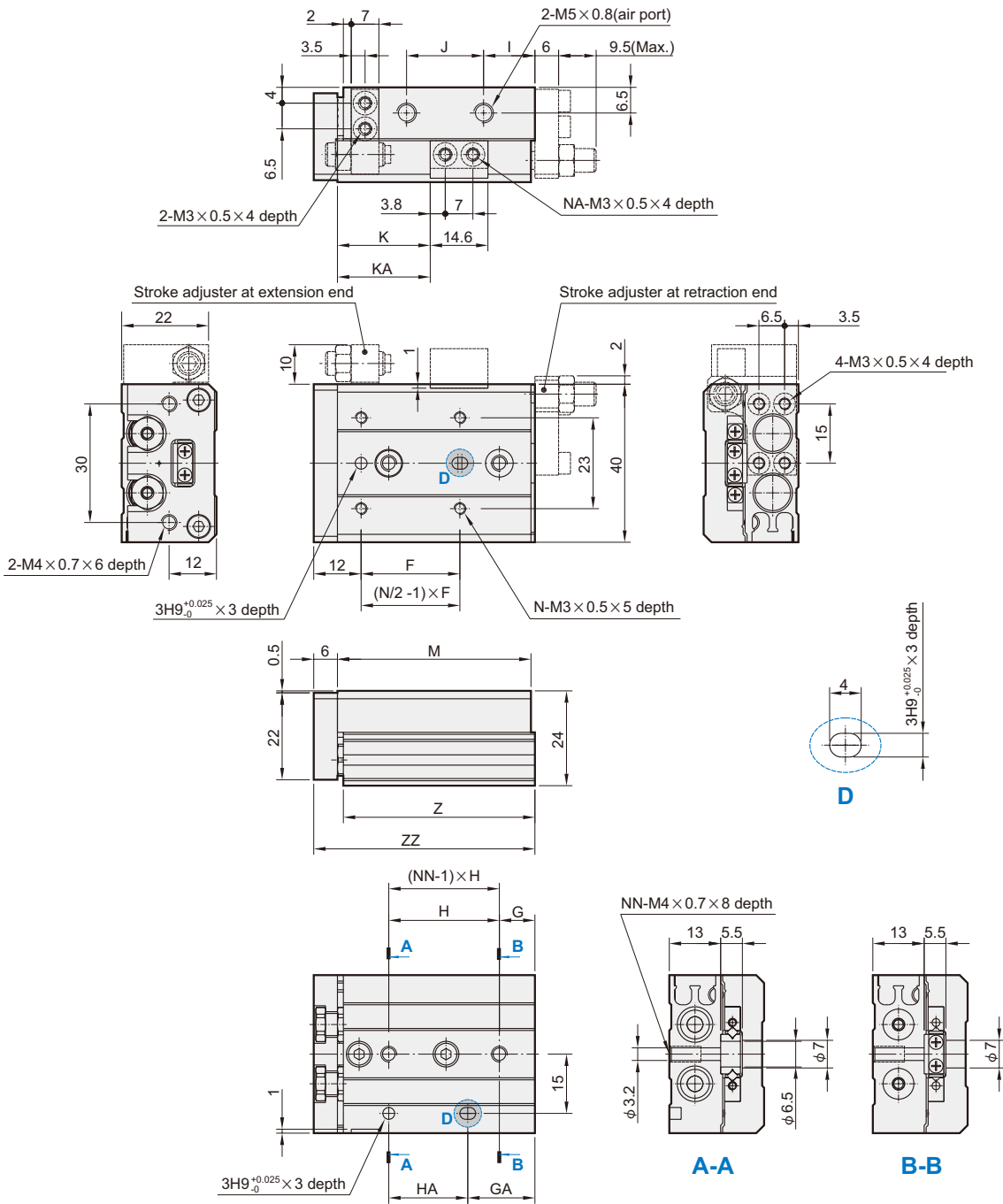
Unit: g

Stroke (mm)	Tube I.D.					
	$\phi 6$	$\phi 8$	$\phi 12$	$\phi 16$	$\phi 20$	$\phi 25$
10	89	155	360	576	1050	1636
20	110	166	362	604	1060	1650
30	122	201	369	602	1092	1673
40	161	246	425	674	1145	1797
50	199	281	529	762	1320	1989
75	—	394	722	1095	1815	2713
100	—	—	960	1410	2365	3260
125	—	—	—	1702	2880	4260
150	—	—	—	—	3368	4530

※ Item 17. Tube I.D.  $\phi 6 \sim 16$  (Required quantity: 2pcs); Tube I.D.  $\phi 20, 25$  (Required quantity: 4pcs).



Code Stroke	F	G	GA	H	HA	I	J	K	M	N	NN	Z	ZZ
10	20	6	11	25	20	10	17	22.5	42	4	2	41.5	48
20	30	6	21	35	20	10	27	32.5	52	4	2	51.5	58
30	20	11	31	20	20	7	40	42.5	62	6	3	61.5	68
40	28	13	43	30	30	19	50	52.5	84	6	3	83.5	90
50	38	17	41	24	48	25	60	62.5	100	6	4	99.5	106



Code Stroke	F	G	GA	H	HA	I	J	K	KA	M	N	NA	NN	Z	ZZ
10	25	9	17	28	20	13	19.5	23.5	-	49	4	2	2	48.5	56
20	25	12	12	30	30	8.5	29	33.5	-	54	4	2	2	53.5	61
30	40	13	33	20	20	9.5	39	43.5	-	65	4	2	3	64.5	72
40	50	15	43	28	28	10.5	56	53.5	-	83	4	2	3	82.5	90
50	38	20	43	23	46	24.5	60	63.5	82.5	101	6	4	4	100.5	108
75	50	27	83	28	56	38.5	96	88.5	132.5	151	6	4	5	150.5	158

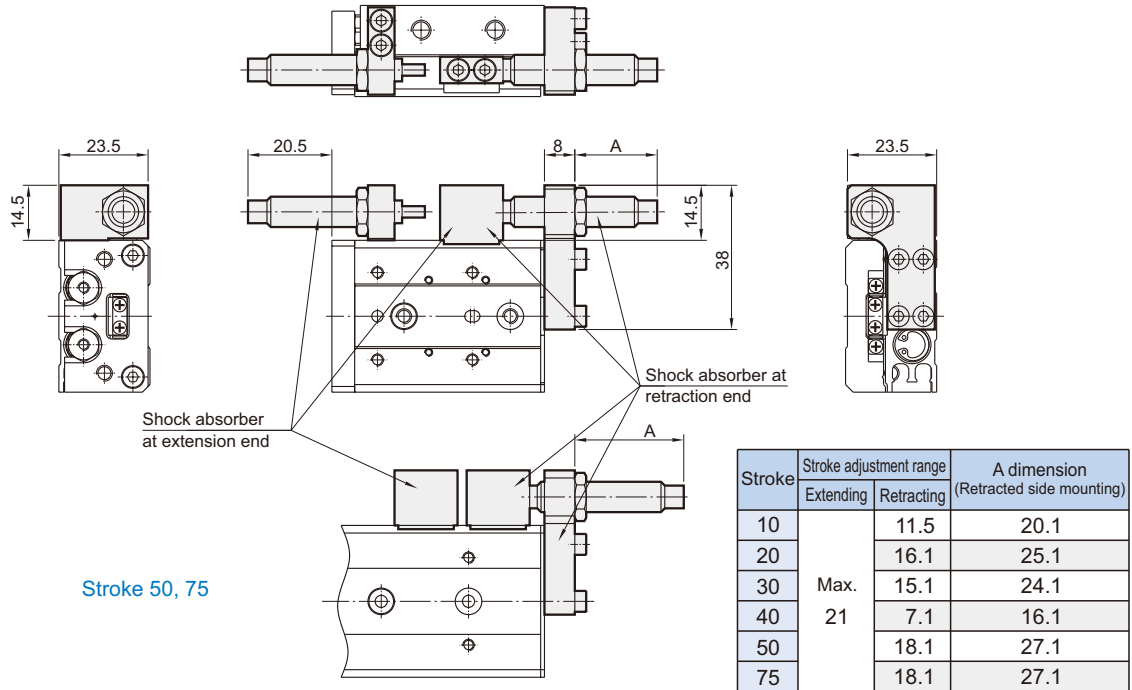
# MCSS With shock absorber $\phi 8$

## SLIDE CYLINDER

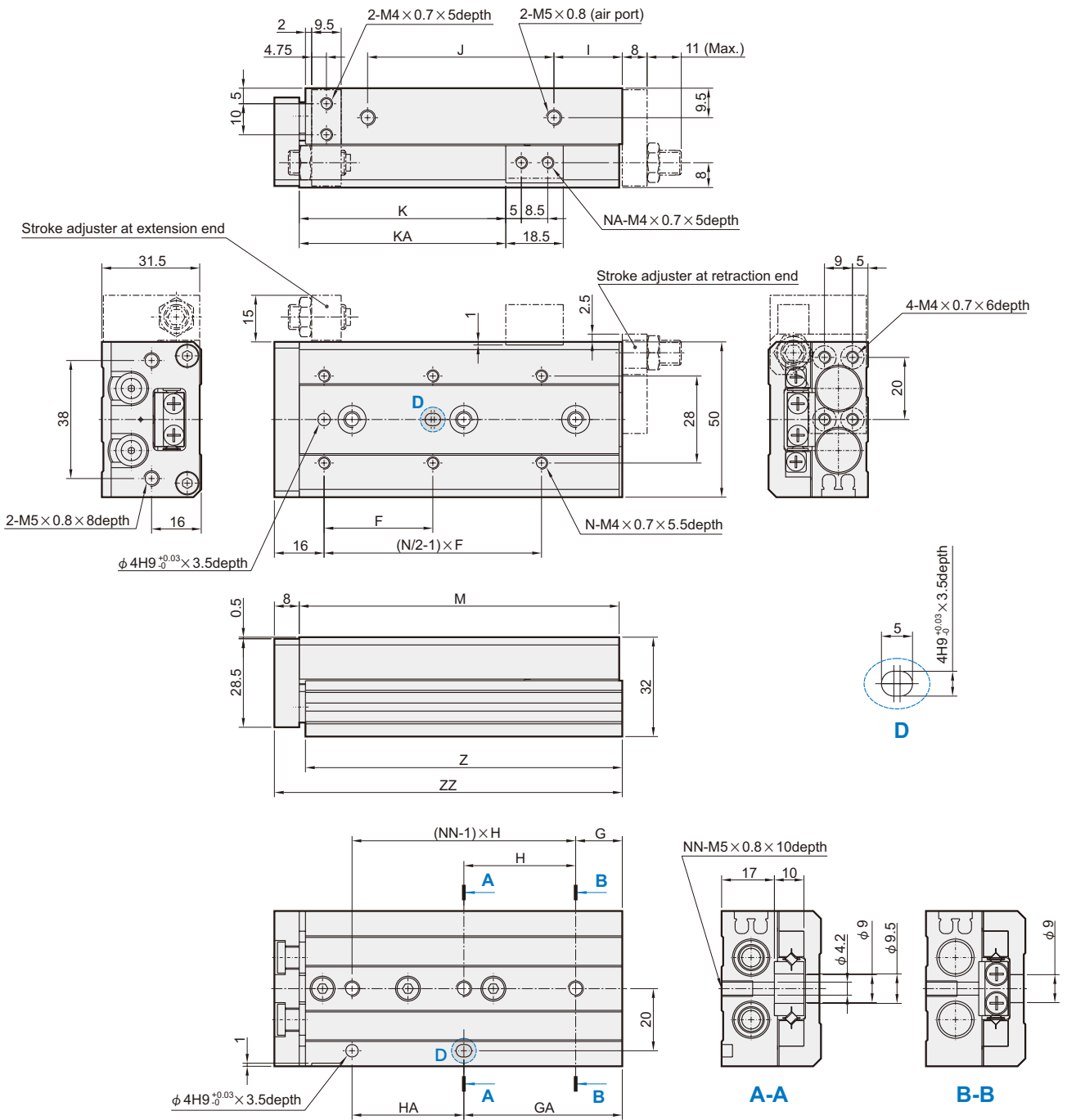


Mindman

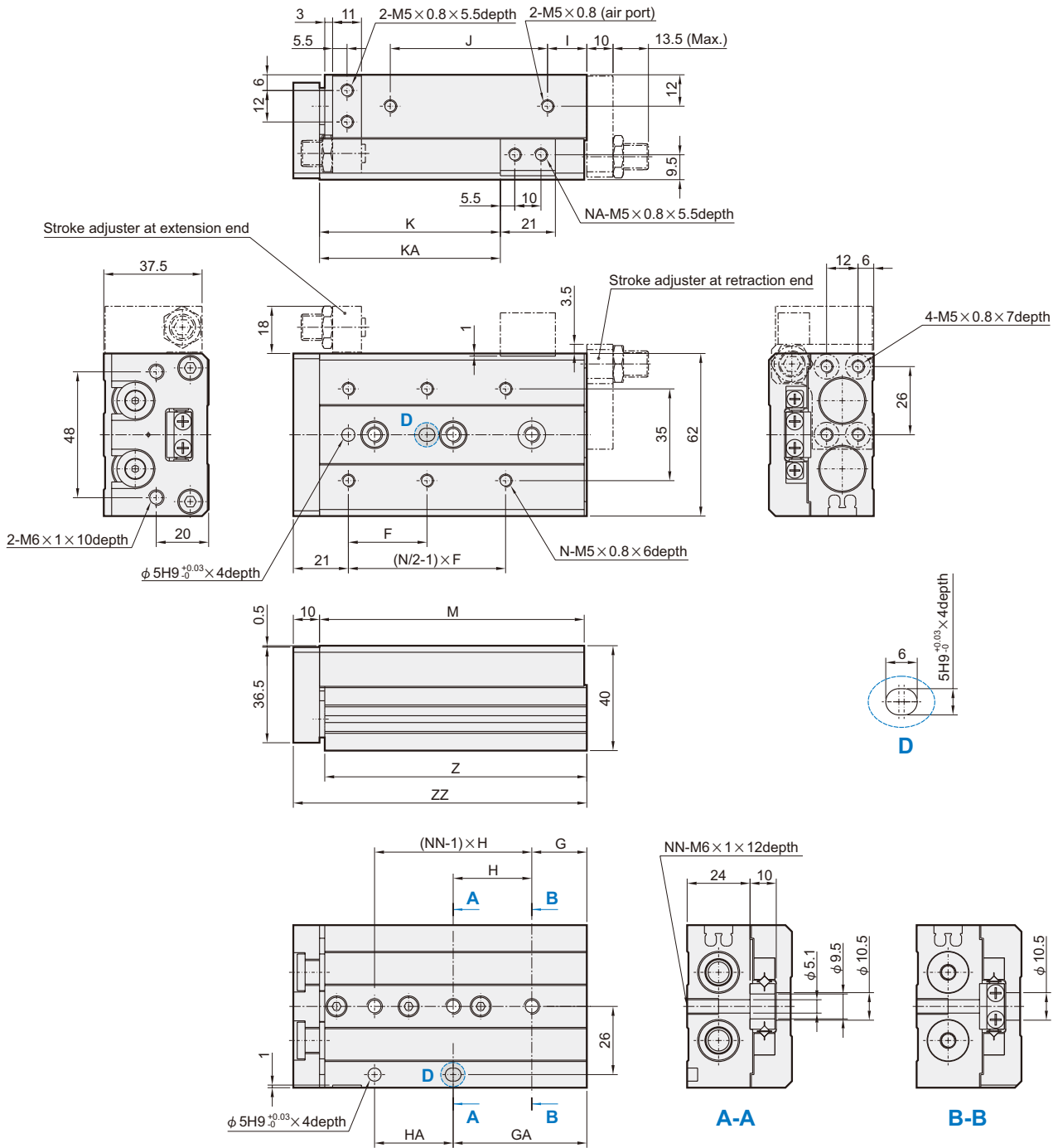
$\phi 8$



※ Other dimensions not indicated are the same as the basic style.



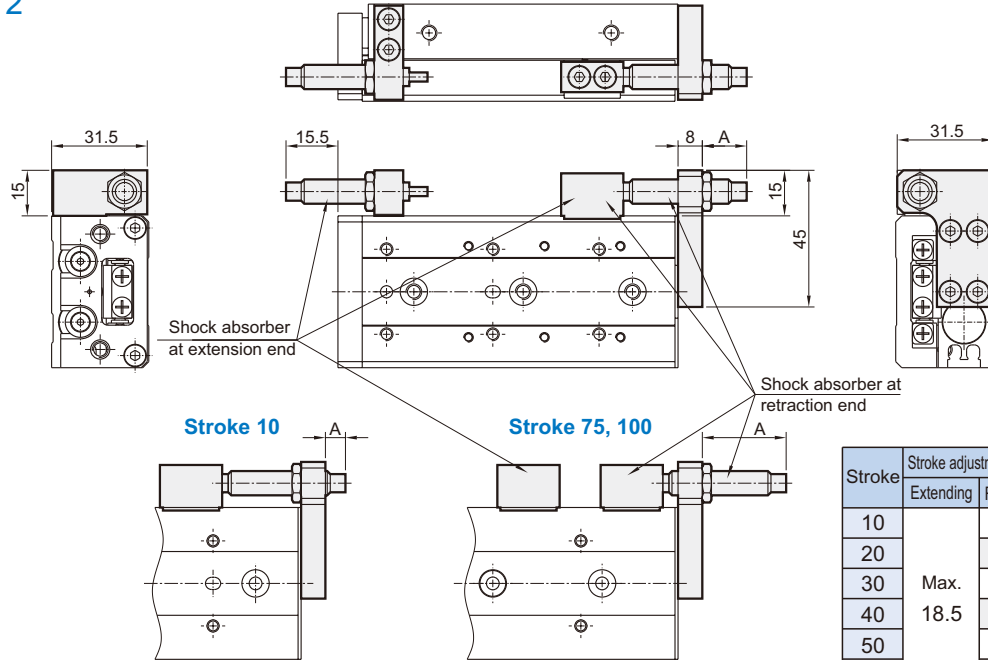
Code Stroke	F	G	GA	H	HA	I	J	K	KA	M	N	NA	NN	Z	ZZ
10	35	15	15	40	40	10	40	26.5	-	71	4	2	2	70	80
20	35	15	15	40	40	10	40	36.5	-	71	4	2	2	70	80
30	35	15	15	40	40	10	40	46.5	-	71	4	2	2	70	80
40	50	17	42	25	25	10	52	56.5	-	83	4	2	3	82	92
50	35	15	51	36	36	22	60	66.5	-	103	6	2	3	102	112
75	55	25	61	36	72	43	85	91.5	125.5	149	6	4	4	148	158
100	65	35	111	38	76	52	130	116.5	179.5	203	6	4	5	202	212



Code Stroke	F	G	GA	H	HA	I	J	K	KA	M	N	NA	NN	Z	ZZ
10	35	16	16	40	40	10	40	29	-	76	4	2	2	75	87
20	35	16	16	40	40	10	40	39	-	76	4	2	2	75	87
30	35	16	16	40	40	10	40	49	-	76	4	2	2	75	87
40	40	16	16	50	50	10	50	59	-	86	4	2	2	85	97
50	30	21	51	30	30	15	60	69	-	101	6	2	3	100	112
75	55	26	61	35	70	40	85	94	125	151	6	4	4	150	162
100	65	39	109	35	70	55	118	119	173	199	6	4	5	198	210
125	70	19	159	35	70	68	155	144	223	249	8	4	7	248	260

## SLIDE CYLINDER

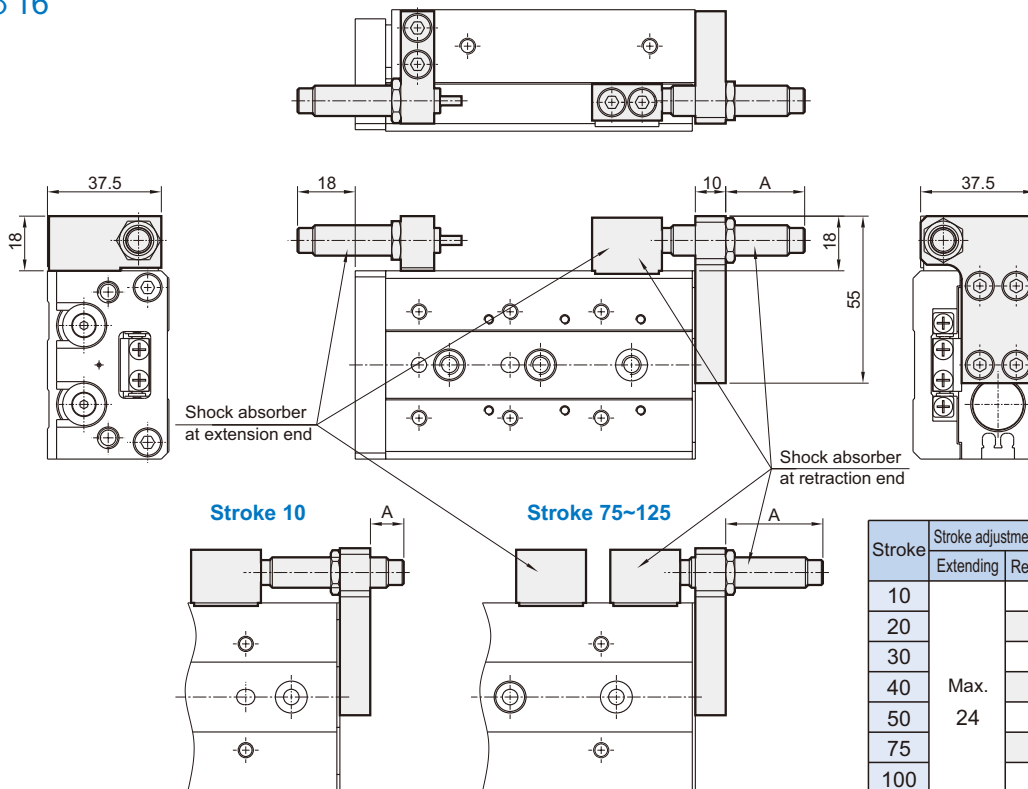
$\phi 12$



Stroke	Stroke adjustment range		A dimension (Retracted side mounting)
	Extending	Retracting	
10	Max.	0	5
20		6	15
30		16	25
40		14	23
50		4	13
75		17	26
100		17	26

※ Other dimensions not indicated are the same as the basic style.

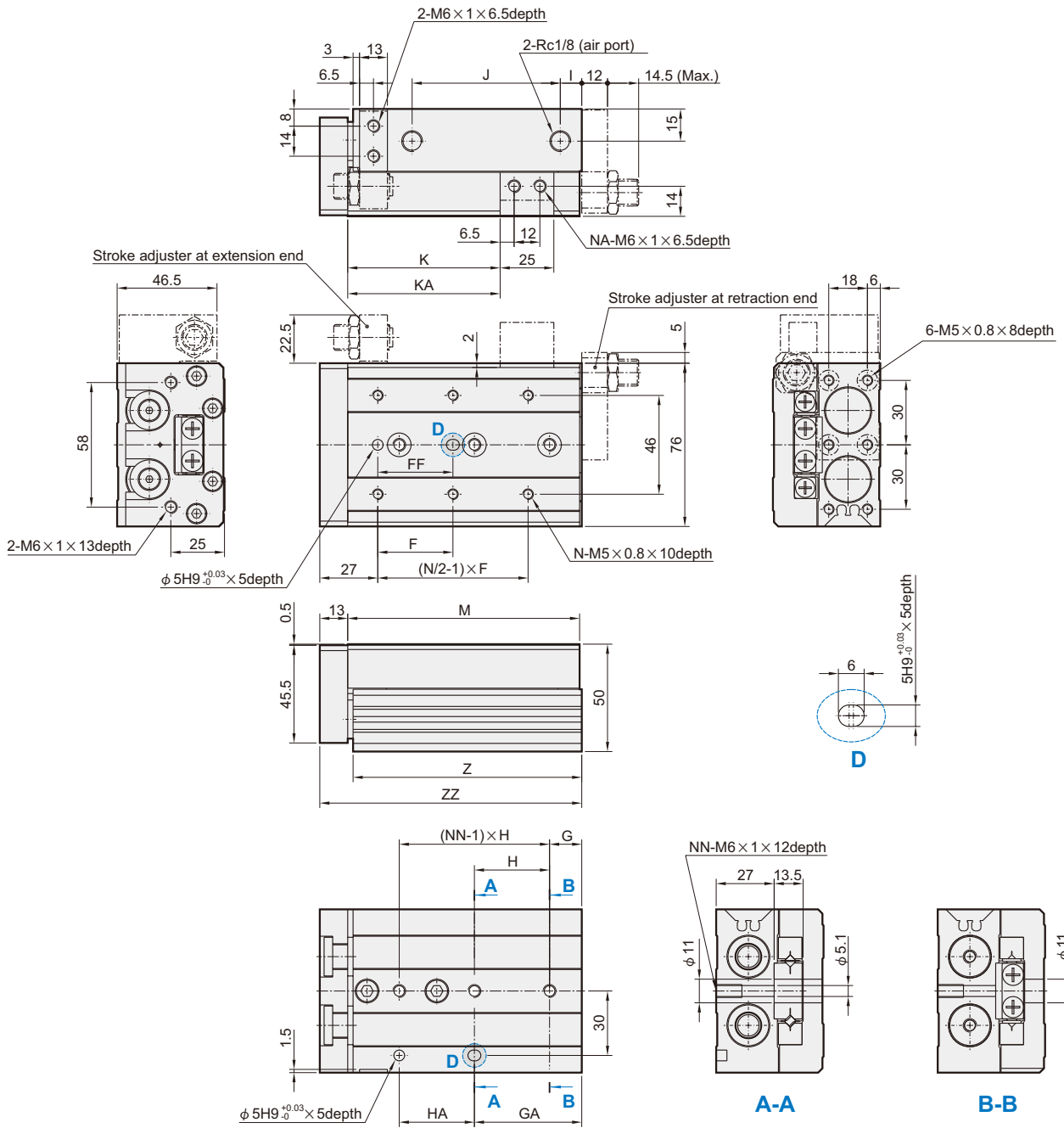
$\phi 16$



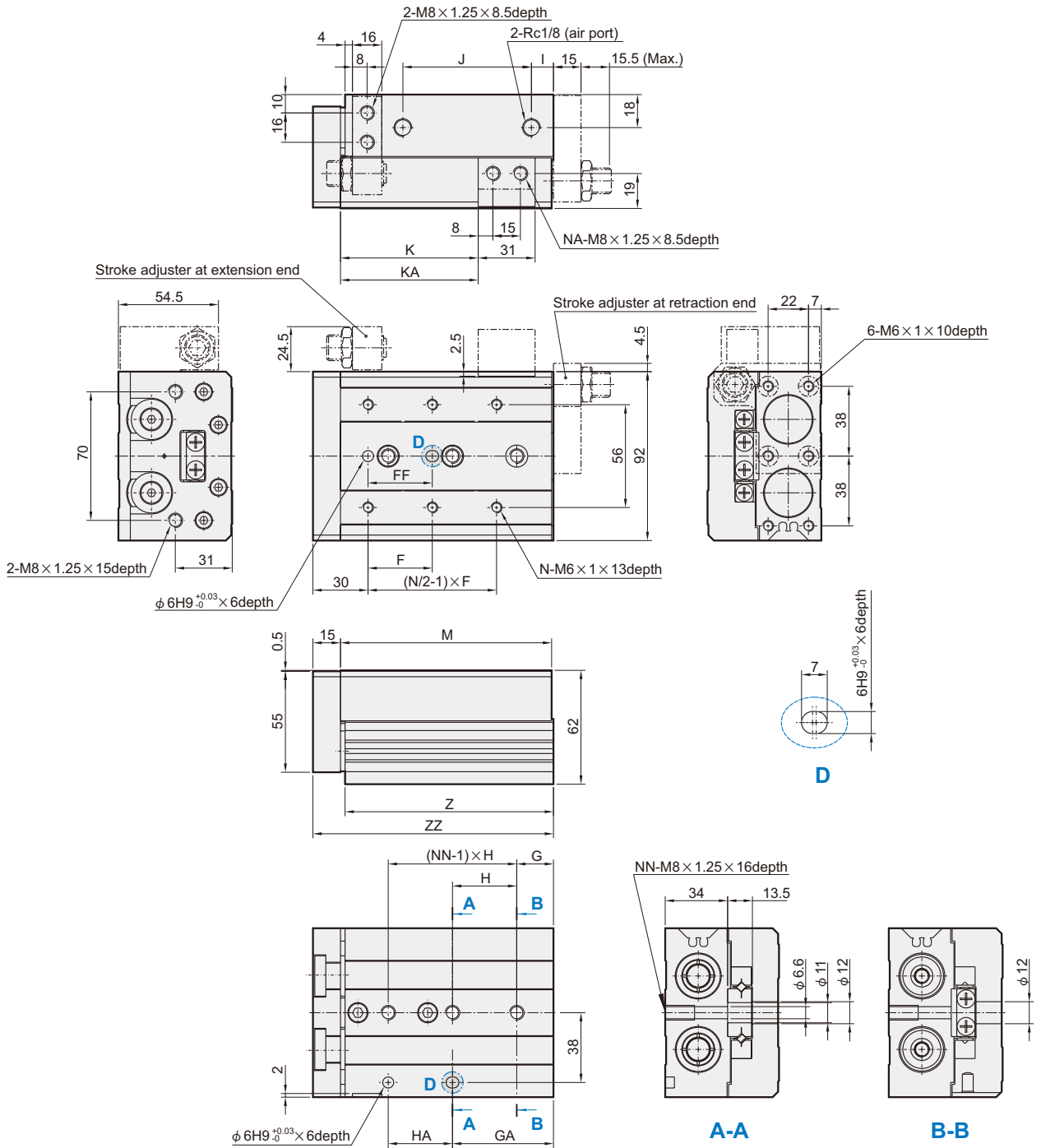
Stroke	Stroke adjustment range		A dimension (Retracted side mounting)
	Extending	Retracting	
10	Max.	5	10
20		11	20
30		21	30
40		21	30
50		16	25
75		22	31
100		22	31
125		22	31

※ Other dimensions not indicated are the same as the basic style.





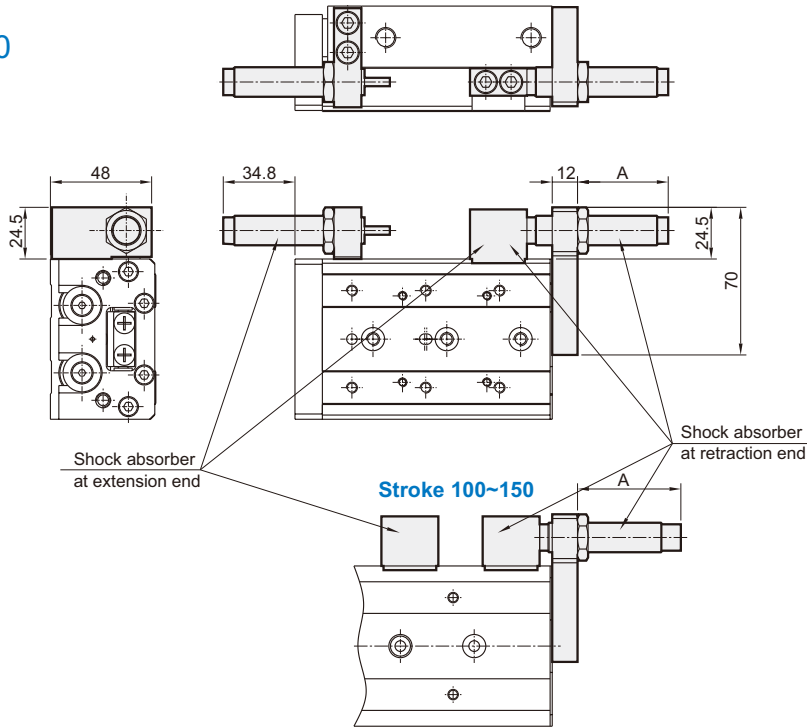
Code Stroke	F	FF	G	GA	H	HA	I	J	K	KA	M	N	NA	NN	Z	ZZ
10	50	40	15	25	45	35	10	44	31	-	83	4	2	2	81.5	97
20	50	40	15	25	45	35	10	44	41	-	83	4	2	2	81.5	97
30	50	40	15	25	45	35	10	44	51	-	83	4	2	2	81.5	97
40	60	50	15	35	55	35	10	54	61	-	93	4	2	2	91.5	107
50	35	35	15	50	35	35	10	69	71	-	108	6	2	3	106.5	122
75	60	60	19	54	35	70	10	108	96	-	147	6	2	4	145.5	161
100	70	70	37	107	35	70	58	113	121	169	200	6	4	5	198.5	214
125	70	70	41	155	38	76	70	155	146	223	254	8	4	6	252.5	268
150	80	80	19	195	44	88	87	190	171	275	306	8	4	7	304.5	320



Code Stroke	F	FF	G	GA	H	HA	I	J	K	KA	M	N	NA	NN	Z	ZZ
10	50	40	22	22	45	45	12	47	35	-	92	4	2	2	90.5	108
20	50	40	22	22	45	45	12	47	45	-	92	4	2	2	90.5	108
30	50	40	22	22	45	45	12	47	55	-	92	4	2	2	90.5	108
40	60	50	22	22	55	55	12	57	65	-	102	4	2	2	100.5	118
50	35	35	20	55	35	35	12	70	75	-	115	6	2	3	113.5	131
75	60	60	26	61	35	70	33	90	100	-	156	6	2	4	154.5	172
100	70	70	32	102	35	70	50	114	125	162	197	6	4	5	195.5	213
125	75	75	40	154	38	76	67	155	150	218	255	8	4	6	253.5	271
150	80	80	30	190	40	80	82	180	175	258	295	8	4	7	293.5	311

## SLIDE CYLINDER

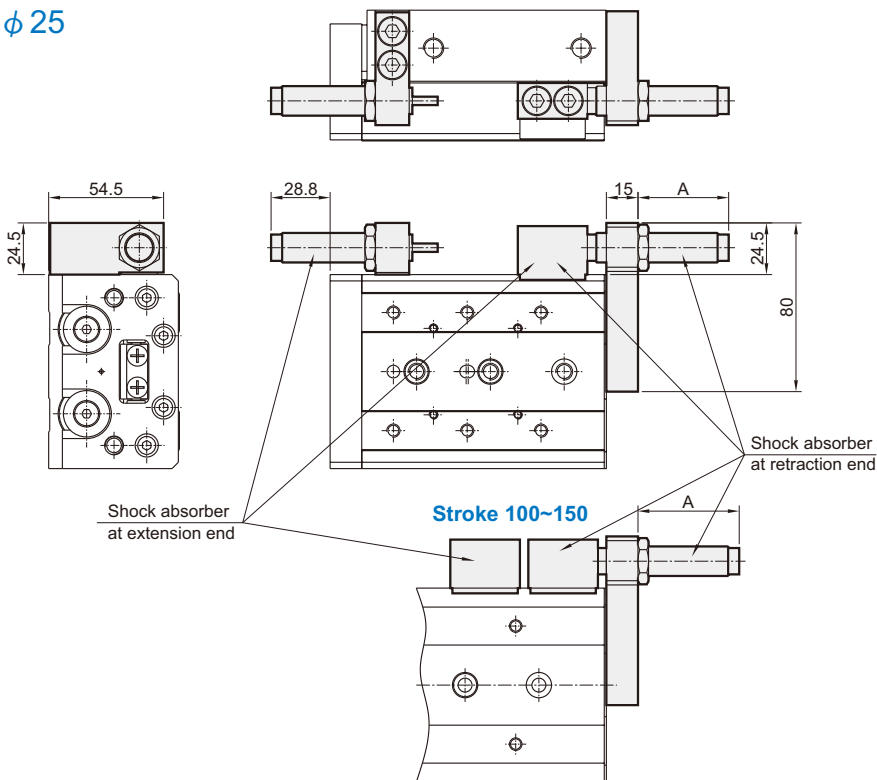
$\phi 20$



Stroke	Stroke adjustment range		A dimension (Retracted side mounting)
	Extending	Retracting	
10	Max. 40.3	15.8	28.8
20		25.8	38.8
30		35.8	48.8
40		35.8	48.8
50		30.8	43.8
75		16.8	29.8
100		36.8	49.8
125		36.8	49.8
150		36.8	49.8

※ Other dimensions not indicated are the same as the basic style.

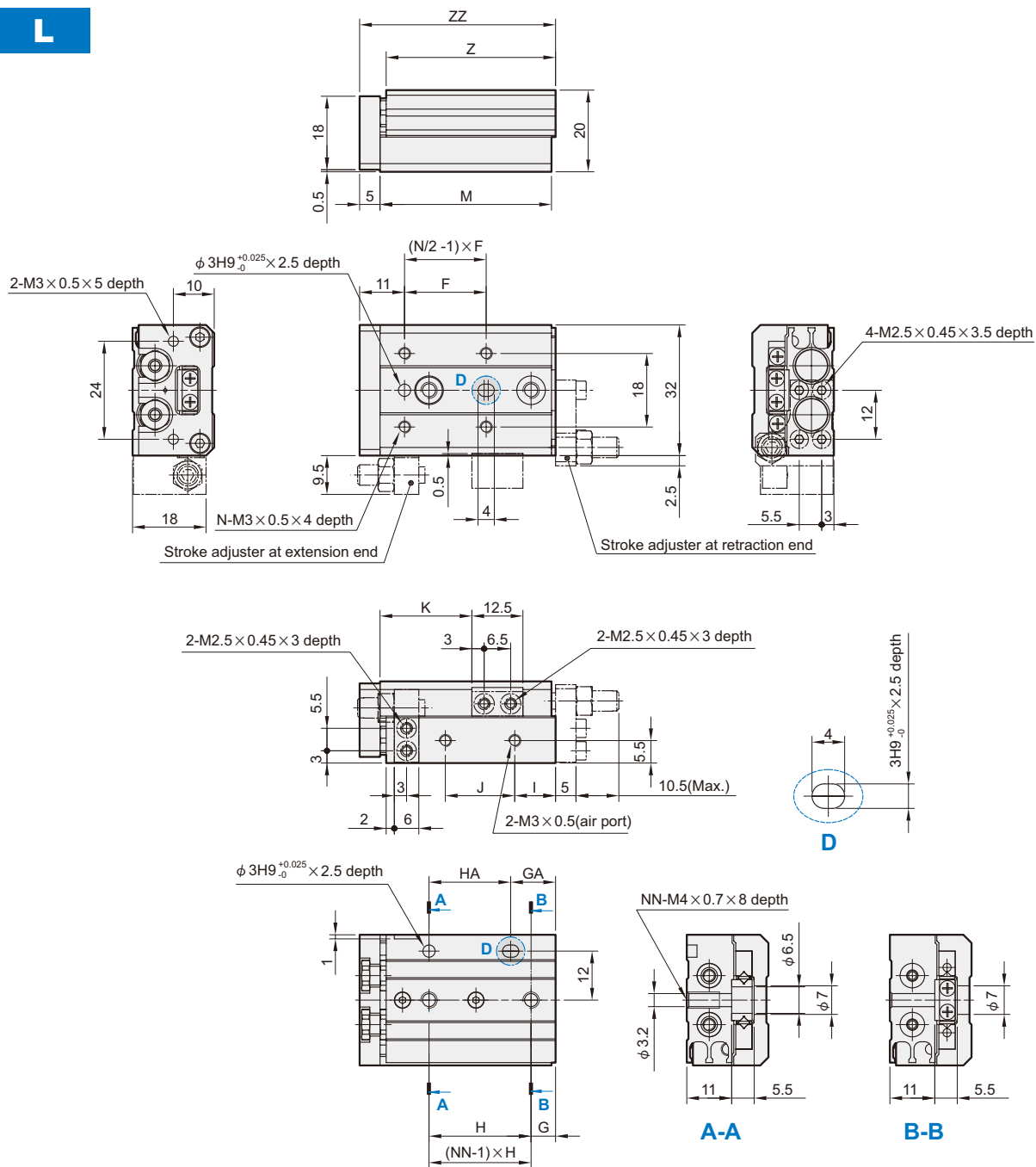
$\phi 25$



Stroke	Stroke adjustment range		A dimension (Retracted side mounting)
	Extending	Retracting	
10	Max. 36.3	12.8	26.8
20		22.8	36.8
30		32.8	46.8
40		32.8	46.8
50		29.8	43.8
75		13.8	27.8
100		34.8	48.8
125		32.8	46.8
150		32.8	46.8

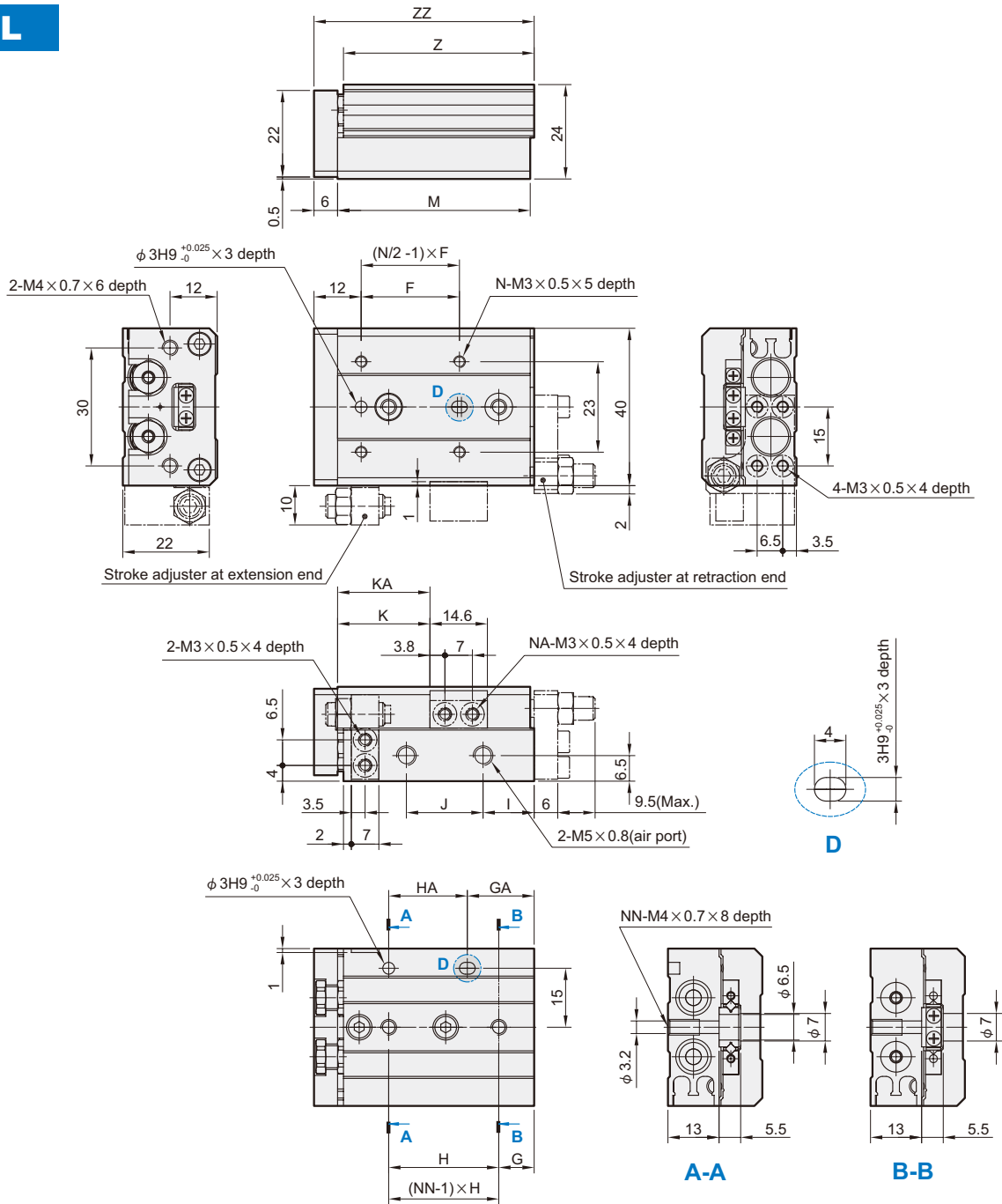
※ Other dimensions not indicated are the same as the basic style.

L



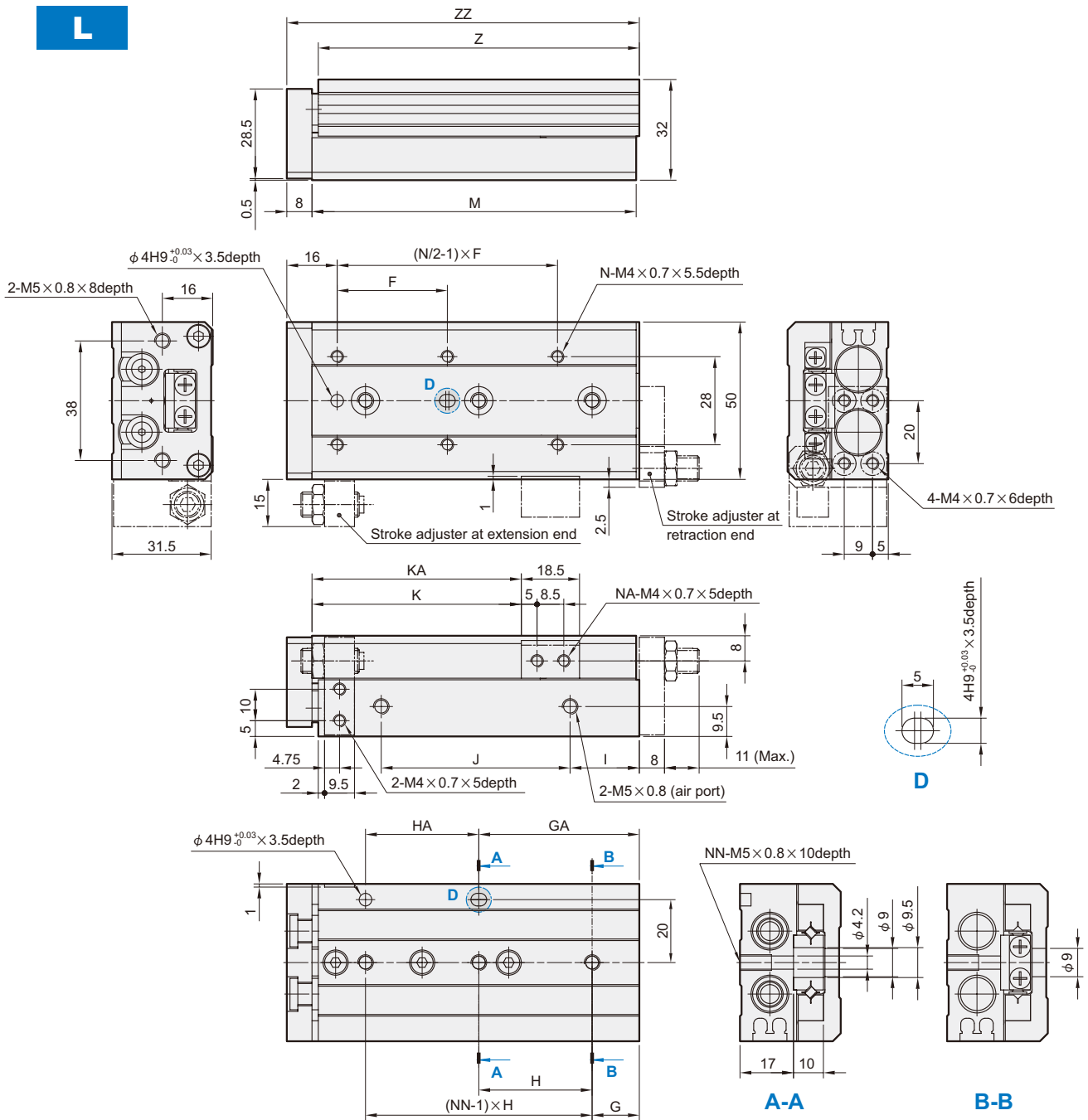
Code Stroke	F	G	GA	H	HA	I	J	K	M	N	NN	Z	ZZ
10	20	6	11	25	20	10	17	22.5	42	4	2	41.5	48
20	30	6	21	35	20	10	27	32.5	52	4	2	51.5	58
30	20	11	31	20	20	7	40	42.5	62	6	3	61.5	68
40	28	13	43	30	30	19	50	52.5	84	6	3	83.5	90
50	38	17	41	24	48	25	60	62.5	100	6	4	99.5	106

L



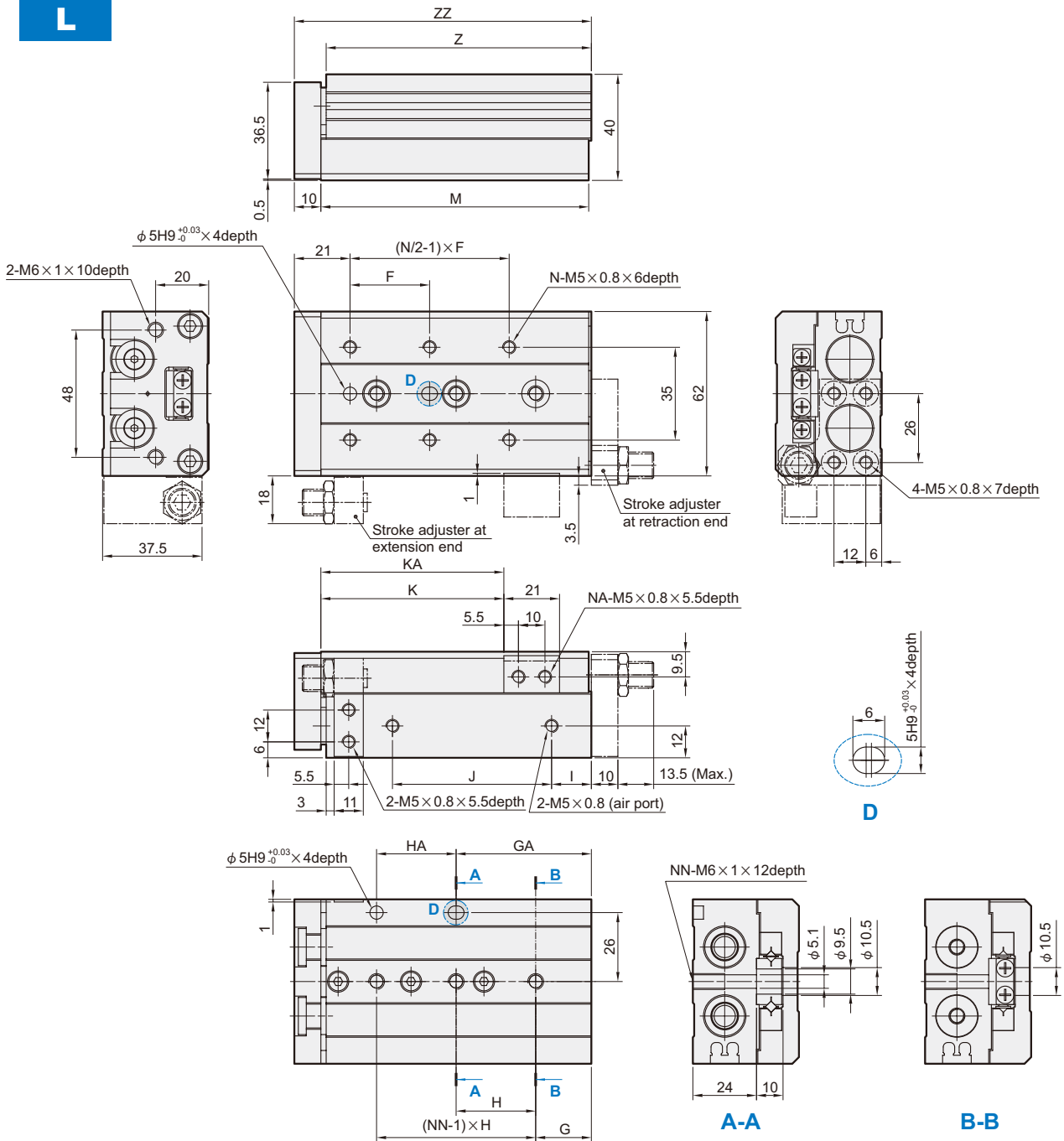
Code Stroke	F	G	GA	H	HA	I	J	K	KA	M	N	NA	NN	Z	ZZ
10	25	9	17	28	20	13	19.5	23.5	-	49	4	2	2	48.5	56
20	25	12	12	30	30	8.5	29	33.5	-	54	4	2	2	53.5	61
30	40	13	33	20	20	9.5	39	43.5	-	65	4	2	3	64.5	72
40	50	15	43	28	28	10.5	56	53.5	-	83	4	2	3	82.5	90
50	38	20	43	23	46	24.5	60	63.5	82.5	101	6	4	4	100.5	108
75	50	27	83	28	56	38.5	96	88.5	132.5	151	6	4	5	150.5	158

L



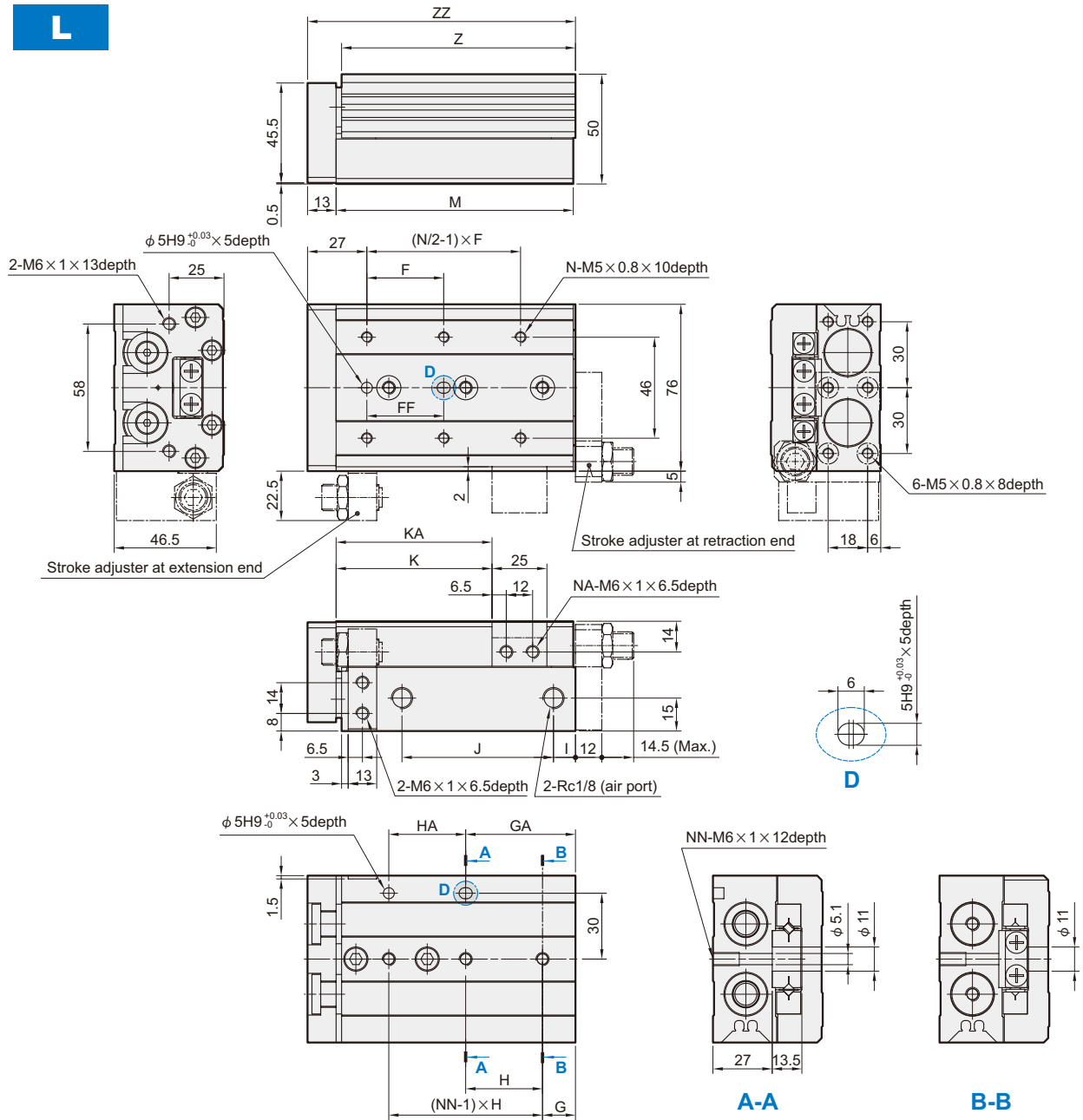
Code Stroke	F	G	GA	H	HA	I	J	K	KA	M	N	NA	NN	Z	ZZ
10	35	15	15	40	40	10	40	26.5	-	71	4	2	2	70	80
20	35	15	15	40	40	10	40	36.5	-	71	4	2	2	70	80
30	35	15	15	40	40	10	40	46.5	-	71	4	2	2	70	80
40	50	17	42	25	25	10	52	56.5	-	83	4	2	3	82	92
50	35	15	51	36	36	22	60	66.5	-	103	6	2	3	102	112
75	55	25	61	36	72	43	85	91.5	125.5	149	6	4	4	148	158
100	65	35	111	38	76	52	130	116.5	179.5	203	6	4	5	202	212

**L**



Code Stroke	F	G	GA	H	HA	I	J	K	KA	M	N	NA	NN	Z	ZZ
10	35	16	16	40	40	10	40	29	-	76	4	2	2	75	87
20	35	16	16	40	40	10	40	39	-	76	4	2	2	75	87
30	35	16	16	40	40	10	40	49	-	76	4	2	2	75	87
40	40	16	16	50	50	10	50	59	-	86	4	2	2	85	97
50	30	21	51	30	30	15	60	69	-	101	6	2	3	100	112
75	55	26	61	35	70	40	85	94	125	151	6	4	4	150	162
100	65	39	109	35	70	55	118	119	173	199	6	4	5	198	210
125	70	19	159	35	70	68	155	144	223	249	8	4	7	248	260

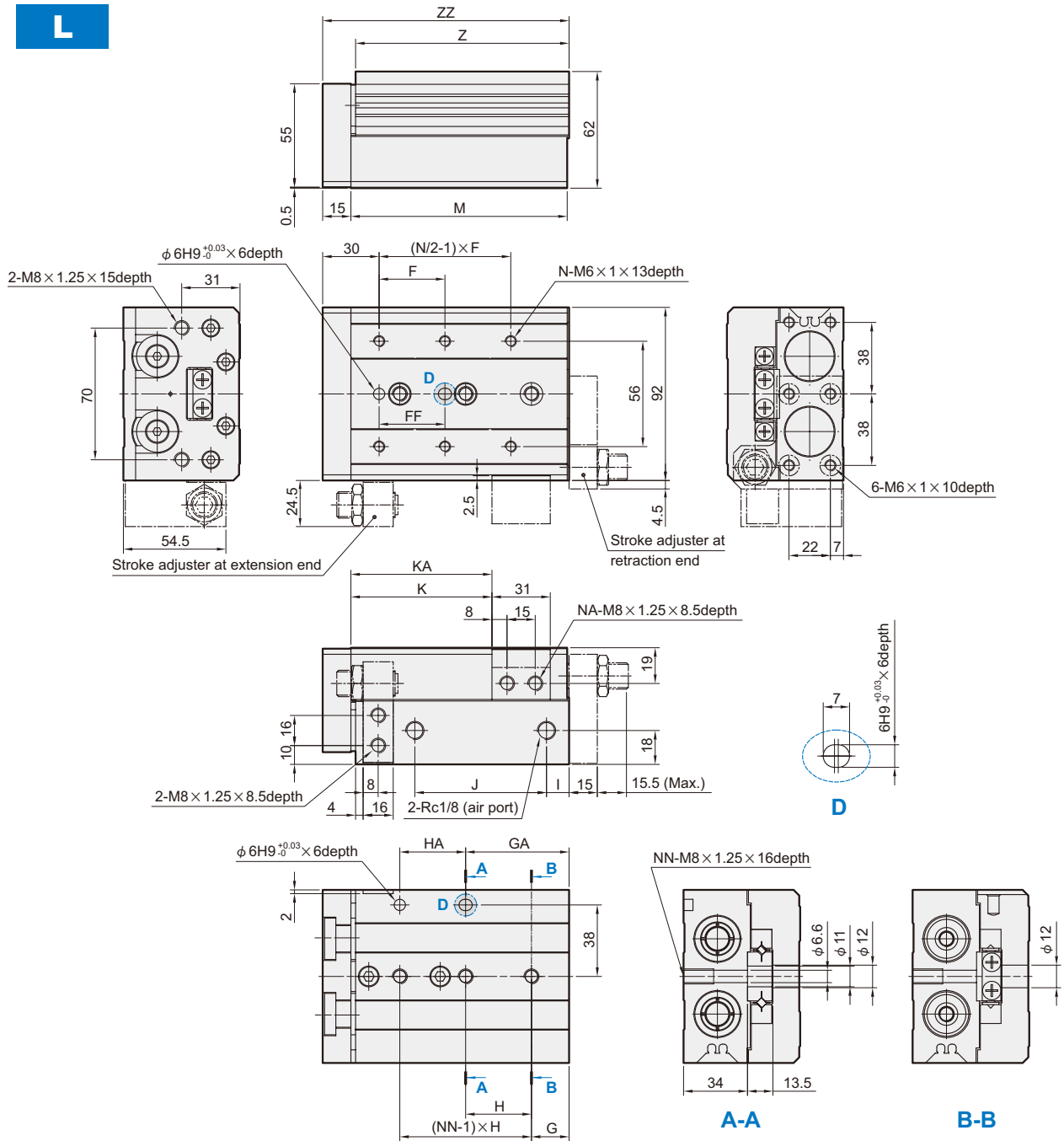
**L**



Code Stroke	F	FF	G	GA	H	HA	I	J	K	KA	M	N	NA	NN	Z	ZZ
10	50	40	15	25	45	35	10	44	31	-	83	4	2	2	81.5	97
20	50	40	15	25	45	35	10	44	41	-	83	4	2	2	81.5	97
30	50	40	15	25	45	35	10	44	51	-	83	4	2	2	81.5	97
40	60	50	15	35	55	35	10	54	61	-	93	4	2	2	91.5	107
50	35	35	15	50	35	35	10	69	71	-	108	6	2	3	106.5	122
75	60	60	19	54	35	70	10	108	96	-	147	6	2	4	145.5	161
100	70	70	37	107	35	70	58	113	121	169	200	6	4	5	198.5	214
125	70	70	41	155	38	76	70	155	146	223	254	8	4	6	252.5	268
150	80	80	19	195	44	88	87	190	171	275	306	8	4	7	304.5	320



**L**

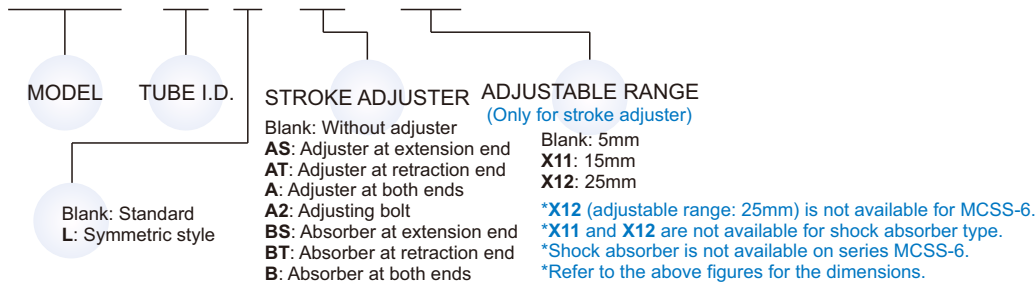


Code Stroke	F	FF	G	GA	H	HA	I	J	K	KA	M	N	NA	NN	Z	ZZ
10	50	40	22	22	45	45	12	47	35	-	92	4	2	2	90.5	108
20	50	40	22	22	45	45	12	47	45	-	92	4	2	2	90.5	108
30	50	40	22	22	45	45	12	47	55	-	92	4	2	2	90.5	108
40	60	50	22	22	55	55	12	57	65	-	102	4	2	2	100.5	118
50	35	35	20	55	35	35	12	70	75	-	115	6	2	3	113.5	131
75	60	60	26	61	35	70	33	90	100	-	156	6	2	4	154.5	172
100	70	70	32	102	35	70	50	114	125	162	197	6	4	5	195.5	213
125	75	75	40	154	38	76	67	155	150	218	255	8	4	6	253.5	271
150	80	80	30	190	40	80	82	180	175	258	295	8	4	7	293.5	311

SLIDE CYLINDER

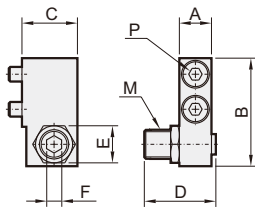
Order example of stroke adjuster

MCSS – 20 L – AS – X12

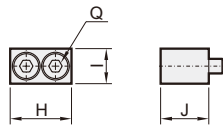


Stroke adjuster at extension end

Mounted to body



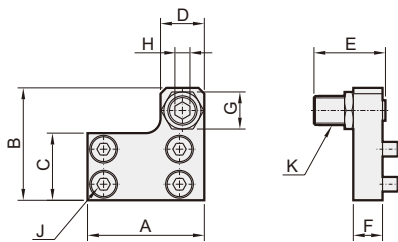
Mounted to table



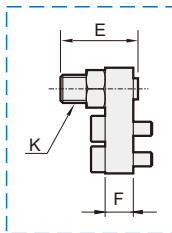
Tube I.D.	Order code	Adjustable stroke range (mm)	Mounted to body								Mounted to table			
			A	B	C	D	E	F	M	P*	H	I	J	Q*
6	MCSS-6-AS	5	6	17.8	10.5	16.5	7	2.5	M5×0.8	M2.5×10	12.5	6	8.5	M2.5×8
	MCSS-6-AS-X11	15				26.5								
8	MCSS-8-AS	5	7	21.5	11	16.5	8	3	M6×1	M3×10	14.6	7	10	M3×10
	MCSS-8-AS-X11	15				26.5								
	MCSS-8-AS-X12	25				36.5								
12	MCSS-12-AS	5	9.5	31	16	20	11	4	M8×1	M4×16	18.5	10	13	M4×12
	MCSS-12-AS-X11	15				30								
	MCSS-12-AS-X12	25				40								
16	MCSS-16-AS	5	11	37	19	24.5	14	5	M10×1	M5×16	21	12	16.5	M5×16
	MCSS-16-AS-X11	15				34.5								
	MCSS-16-AS-X12	25				44.5								
20	MCSS-20-AS	5	13	45.5	24	27.5	17	6	M12×1.25	M6×20	25	13	21	M6×20
	MCSS-20-AS-X11	15				37.5								
	MCSS-20-AS-X12	25				47.5								
25	MCSS-25-AS	5	16	53.5	26.5	32.5	19	6	M14×1.5	M8×25	31	17	25.5	M8×25
	MCSS-25-AS-X11	15				42.5								
	MCSS-25-AS-X12	25				52.5								

\* Size of hexagon socket head cap screws

Stroke adjuster at retraction end



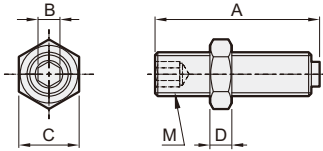
※ MCSS-6, 8



Tube I.D.	Order code	Adjustable stroke range (mm)	A	B	C	D	E	F	G	H	J*	K
6	MCSS-6-AT	5	21	19	10.5	8	16.5	5	7	2.5	M2.5×8	M5×0.8
	MCSS-6-AT-X11	15					26.5					
8	MCSS-8-AT	5	25	22.5	12.5	9	16.5	6	8	3	M3×10	M6×1
	MCSS-8-AT-X11	15					26.5					
	MCSS-8-AT-X12	25					36.5					
12	MCSS-12-AT	5	32	31	18.5	13	20	8	12	4	M4×8	M8×1
	MCSS-12-AT-X11	15					30					
	MCSS-12-AT-X12	25					40					
16	MCSS-16-AT	5	40	38.5	23	15	24.5	10	14	5	M5×10	M10×1
	MCSS-16-AT-X11	15					34.5					
	MCSS-16-AT-X12	25					44.5					
20	MCSS-20-AT	5	50	48	29	21	27.5	12	17	6	M5×12	M12×1.25
	MCSS-20-AT-X11	15					37.5					
	MCSS-20-AT-X12	25					47.5					
25	MCSS-25-AT	5	60	58	35	23	32.5	15	19	6	M6×16	M14×1.5
	MCSS-25-AT-X11	15					42.5					
	MCSS-25-AT-X12	25					52.5					

\* Size of hexagon socket head cap screws

Adjusting bolt

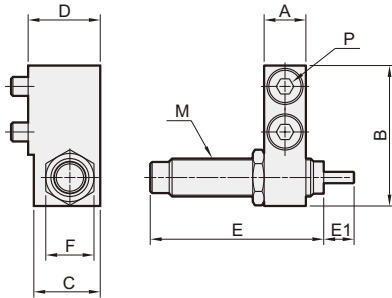


Tube I.D.	Order code	Adjustable stroke range (mm)	A	B	C	D	M
6	MCSS-6-A2	5	16.5	2.5	7	4	M5 × 0.8
	MCSS-6-A2-X11	15	26.5				
8	MCSS-8-A2	5	16.5	3	8	4	M6 × 1
	MCSS-8-A2-X11	15	26.5				
	MCSS-8-A2-X12	25	36.5				
12	MCSS-12-A2	5	20	4	11	4	M8 × 1
	MCSS-12-A2-X11	15	30				
	MCSS-12-A2-X12	25	40				
16	MCSS-16-A2	5	24.5	5	14	4	M10 × 1
	MCSS-16-A2-X11	15	34.5				
	MCSS-16-A2-X12	25	44.5				
20	MCSS-20-A2	5	27.5	6	17	5	M12 × 1.25
	MCSS-20-A2-X11	15	37.5				
	MCSS-20-A2-X12	25	47.5				
25	MCSS-25-A2	5	32.5	6	19	6	M14 × 1.5
	MCSS-25-A2-X11	15	42.5				
	MCSS-25-A2-X12	25	52.5				

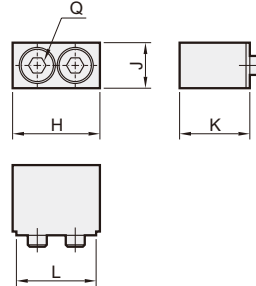
## SLIDE CYLINDER

### Stroke adjuster at extension end

Mounted to body



Mounted to table

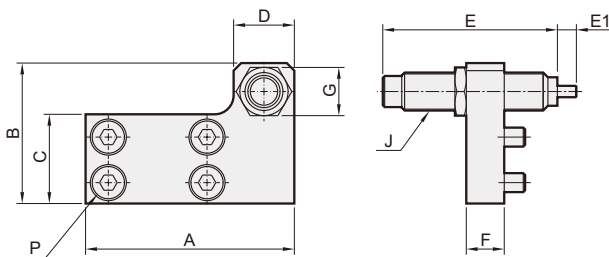


Tube I.D.	Order code	Mounted to body										Mounted to table				
		A	B	C	D	E	E1	F	M	P*	H	J	K	L	Q*	
8	MCSS-8-BS	7	23	14	15.5	38.5	6	11	M8×1	MDSC-0806-3-N	M3×16	16.6	7	15.5	14.6	M3×16
12	MCSS-12-BS	9.5	31	14.5	16	38.5	6	11	M8×1	MDSC-0806-3-N	M4×16	20.5	10	15	18.5	M4×12
16	MCSS-16-BS	11	37	17.5	19	45.5	8	12.7	M10×1	MDSC-1008-3-N	M5×16	23	12	18.5	21	M5×16
20	MCSS-20-BS	13	45.5	23.5	26	67.5	12	19	M14×1.5	MDSC-1412-3-N	M6×25	27	13	25.5	25	M6×25
25	MCSS-25-BS	16	53.5	23.5	26.5	67.5	12	19	M14×1.5	MDSC-1412-3-N	M8×25	33	17	25.5	31	M8×25

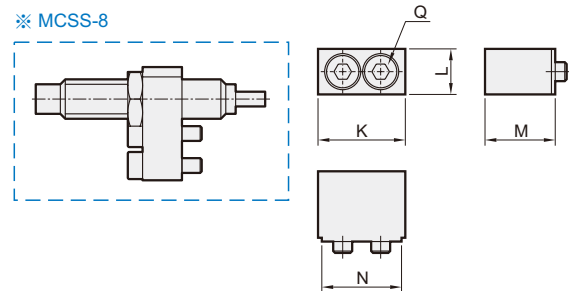
\* Size of hexagon socket head cap screws

### Stroke adjuster at retraction end

Mounted to body



Mounted to table



Tube I.D.	Order code	Mounted to body										Mounted to table					
		A	B	C	D	E	E1	F	G	J	P*	K	L	M	N	Q*	
8	MCSS-8-BT	38	23	12.5	14	38.5	6	8	12	M8×1	MDSC-0806-3-N	M3×12	16.6	7	15.5	14.6	M3×16
12	MCSS-12-BT	45	31	18	14	38.5	6	8	11	M8×1	MDSC-0806-3-N	M4×8	20.5	10	15	18.5	M4×12
16	MCSS-16-BT	55	37	23.5	16	45.5	8	10	12.7	M10×1	MDSC-1008-3-N	M5×10	23	12	18.5	21	M5×16
20	MCSS-20-BT	70	47	29	23	67.5	12	12	19	M14×1.5	MDSC-1412-3-N	M5×12	27	13	25.5	25	M6×25
25	MCSS-25-BT	80	54	35	23	67.5	12	15	19	M14×1.5	MDSC-1412-3-N	M6×16	33	17	25.5	31	M8×25

\* Size of hexagon socket head cap screws