

# METSC-13 series

## SLIDER ELECTRIC CYLINDER - BALL SCREW DRIVE (WITH MOTOR)



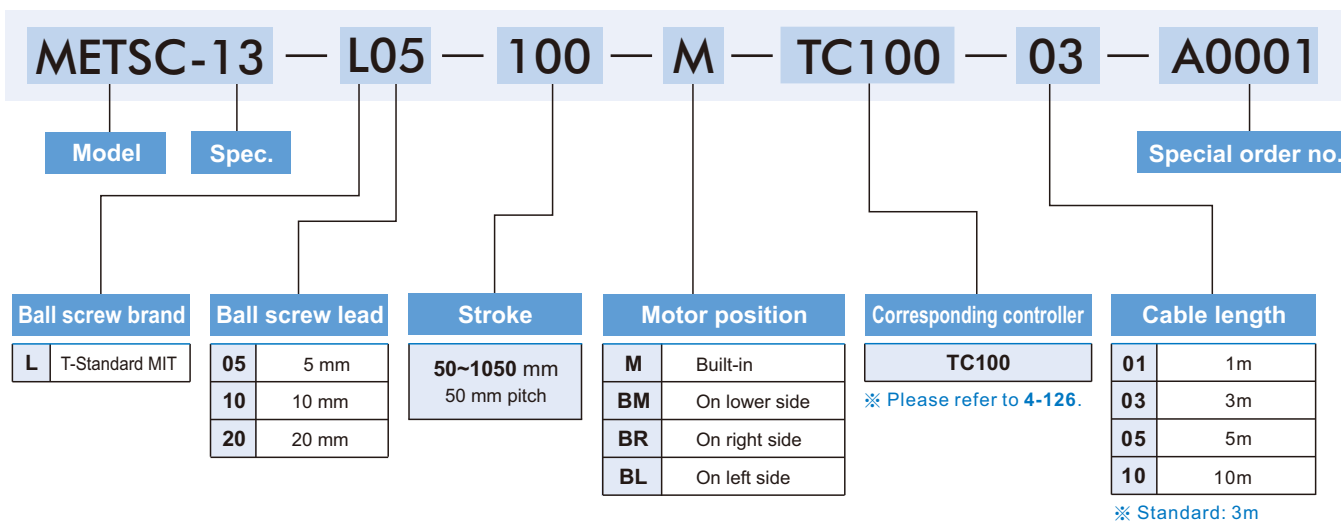
### Specification

Model	METSC-13			
Repeatability (mm)	±0.01			
Ball screw lead (mm)	5	10	20	
Maximum speed (mm/s) <sup>※1</sup>	≤250	≤500	≤1000	
Maximum payload	Horizontal(kg)	≤70	≤47	≤24
	Vertical (kg)	≤12	≤8	≤5
Rated thrust (N)	565	283	141	
Stroke / pitch (mm) <sup>※2</sup>	50~1050 / 50 Pitch			
Motor dimension (mm)	□42			
Ball screw spec (mm)	C7 φ 16			

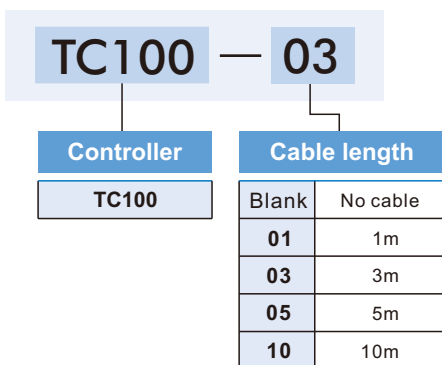
※1. The maximum speed shown here is when software speed setting is 100%. When the stroke is over 750mm, the run-out of the ball screw will occur.

※2. We recommend to low down the working speed under this circumstances.

### Order example of cylinder



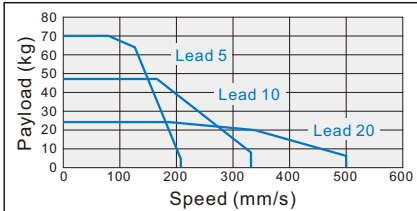
### Order example of controller



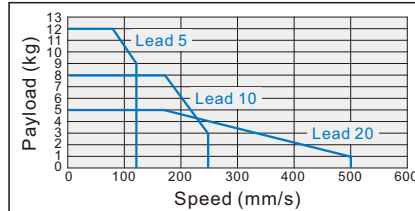
※ Standard: 3m

### Speed-payload curve diagram

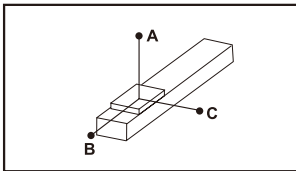
Horizontal



Vertical

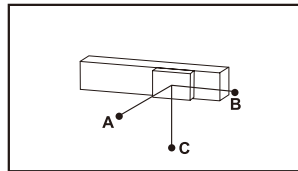


### Allowable overhang N.m



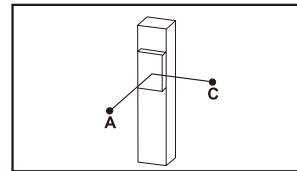
Unit: mm

Horizontal installation		A	B	C
Lead 5	40kg	1200	70	250
	55kg	800	45	165
	70kg	625	35	125
Lead 10	25kg	850	100	300
	35kg	620	70	225
	47kg	450	50	150
Lead 20	5kg	1200	290	680
	15kg	620	150	350
	24kg	390	90	215



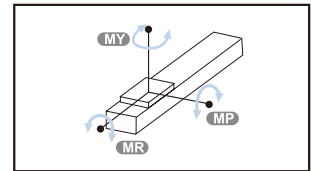
Unit: mm

Wall installation		A	B	C
Lead 5	40kg	220	65	1050
	55kg	180	50	850
	70kg	130	35	650
Lead 10	25kg	335	105	850
	35kg	220	75	620
	47kg	160	50	450
Lead 20	5kg	800	350	1500
	15kg	350	150	620
	24kg	220	90	375



Unit: mm

Vertical installation		A	C
Lead 5	8kg	375	375
	10kg	300	300
	12kg	250	250
Lead 10	4kg	700	700
	6kg	450	450
	8kg	350	350
Lead 20	3kg	750	750
	4kg	550	550
	5kg	450	450



Unit: N.m

Static loading moment	
MY	174
MP	175
MR	153

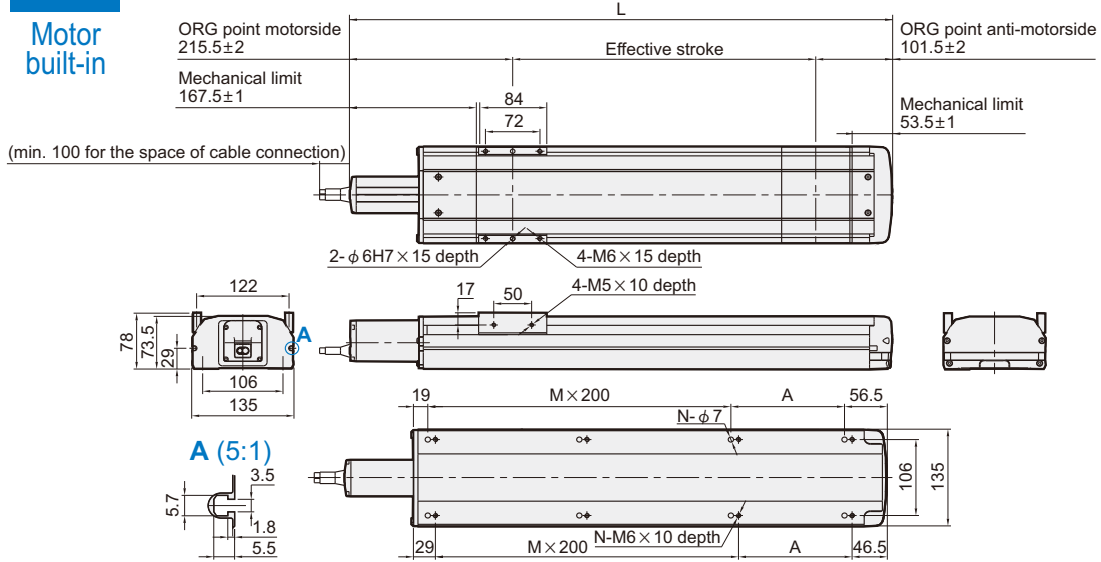
# METSC-13 Dimensions

## SLIDER ELECTRIC CYLINDER - BALL SCREW DRIVE (WITH MOTOR)



**M**

Motor built-in

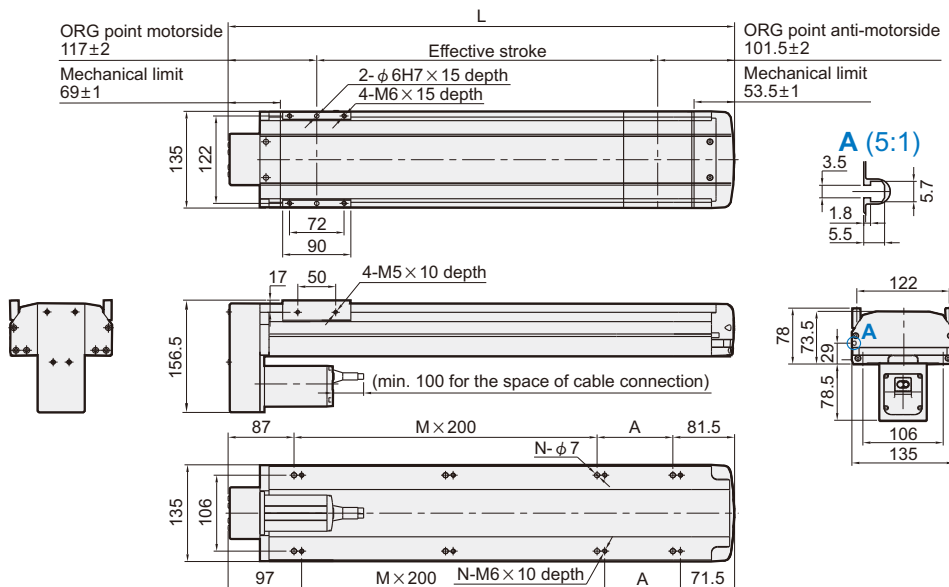


Unit: mm

Stroke	50	100	150	200	250	300	350	400	450	500	550	600	650	700	750	800	850	900	950	1000	1050
<b>L</b>	367	417	476	517	567	617	667	717	767	817	867	917	967	1017	1067	1117	1167	1217	1267	1317	1367
<b>A</b>	200	50	100	150	200	50	100	150	200	50	100	150	200	50	100	150	200	50	100	150	200
<b>M</b>	0	1	1	1	1	2	2	2	2	3	3	3	3	4	4	4	4	5	5	5	5
<b>N</b>	4	6	6	6	6	8	8	8	8	10	10	10	10	12	12	12	12	14	14	14	14
<b>KG</b>	8.2	8.76	9.32	9.88	10.44	11	11.56	12.12	12.68	13.24	13.8	14.36	14.92	15.48	16.04	16.6	17.16	17.72	18.28	18.84	19.4

**BM**

Motor on lower side



Unit: mm

Stroke	50	100	150	200	250	300	350	400	450	500	550	600	650	700	750	800	850	900	950	1000	1050
<b>L</b>	268.5	318.5	368.5	418.5	468.5	518.5	568.5	618.5	668.5	718.5	768.5	818.5	868.5	918.5	968.5	1018.5	1068.5	1118.5	1168.5	1218.5	1268.5
<b>A</b>	100	150	200	50	100	150	200	50	100	150	200	50	100	150	200	50	100	150	200	50	100
<b>M</b>	0	0	0	1	1	1	1	2	2	2	2	3	3	3	3	4	4	4	4	5	5
<b>N</b>	4	4	4	6	6	6	6	8	8	8	8	10	10	10	10	12	12	12	12	14	14
<b>KG</b>	8.74	9.3	9.86	10.42	10.98	11.54	12.1	12.66	13.22	13.78	14.34	14.9	15.46	16.02	16.58	17.14	17.7	18.26	18.82	19.38	19.94

# METSC-13 Dimensions

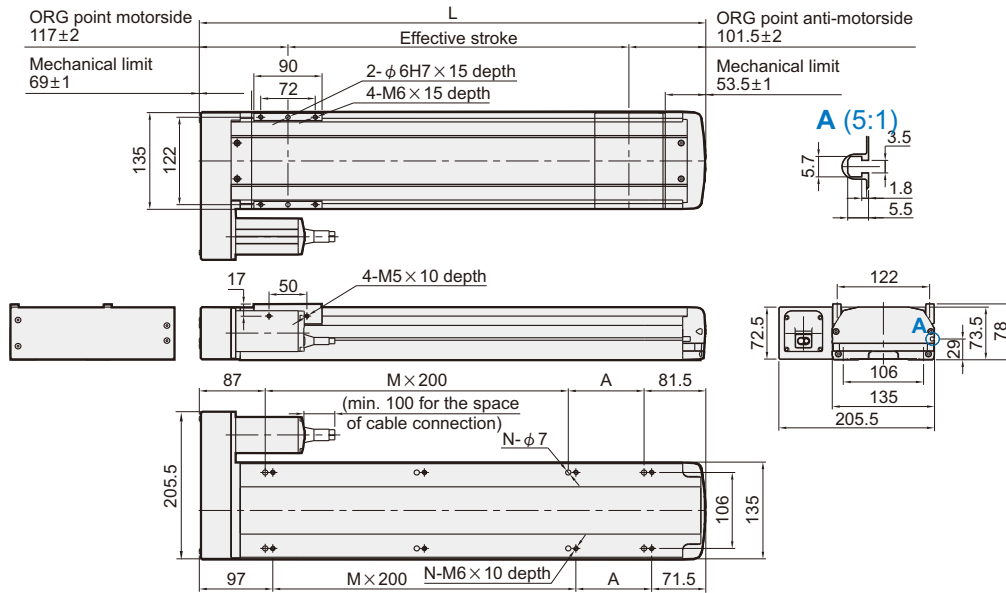
## SLIDER ELECTRIC CYLINDER - BALL SCREW DRIVE (WITH MOTOR)



mindman

**BL**

Motor on left side

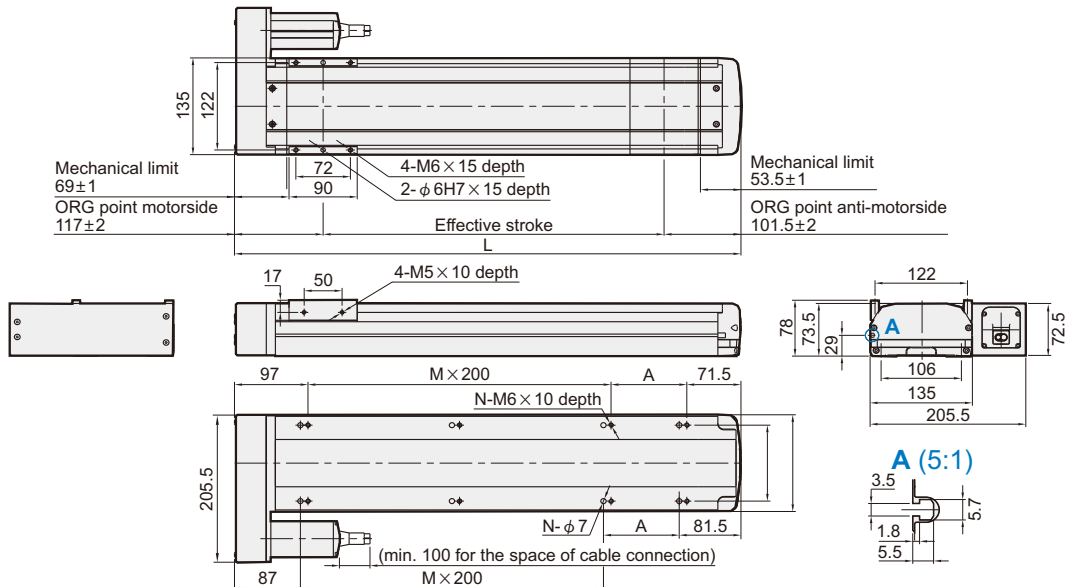


Unit: mm

Stroke	50	100	150	200	250	300	350	400	450	500	550	600	650	700	750	800	850	900	950	1000	1050
<b>L</b>	268.5	318.5	368.5	418.5	468.5	518.5	568.5	618.5	668.5	718.5	768.5	818.5	868.5	918.5	968.5	1018.5	1068.5	1118.5	1168.5	1218.5	1268.5
<b>A</b>	100	150	200	50	100	150	200	50	100	150	200	50	100	150	200	50	100	150	200	50	100
<b>M</b>	0	0	0	1	1	1	1	2	2	2	2	3	3	3	3	4	4	4	4	5	5
<b>N</b>	4	4	4	6	6	6	6	8	8	8	8	10	10	10	10	12	12	12	12	14	14
<b>KG</b>	8.74	9.3	9.86	10.42	10.98	11.54	12.1	12.66	13.22	13.78	14.34	14.9	15.46	16.02	16.58	17.14	17.7	18.26	18.82	19.38	19.94

**BR**

Motor on right side



Unit: mm

Stroke	50	100	150	200	250	300	350	400	450	500	550	600	650	700	750	800	850	900	950	1000	1050
<b>L</b>	268.5	318.5	368.5	418.5	468.5	518.5	568.5	618.5	668.5	718.5	768.5	818.5	868.5	918.5	968.5	1018.5	1068.5	1118.5	1168.5	1218.5	1268.5
<b>A</b>	100	150	200	50	100	150	200	50	100	150	200	50	100	150	200	50	100	150	200	50	100
<b>M</b>	0	0	0	1	1	1	1	2	2	2	2	3	3	3	3	4	4	4	4	5	5
<b>N</b>	4	4	4	6	6	6	6	8	8	8	8	10	10	10	10	12	12	12	12	14	14
<b>KG</b>	8.74	9.3	9.86	10.42	10.98	11.54	12.1	12.66	13.22	13.78	14.34	14.9	15.46	16.02	16.58	17.14	17.7	18.26	18.82	19.38	19.94