

MVAA-220 series

PILOT VALVE



Specification

Model	3A1	3A2	4A1	4A2	4A2C.P.R
Bore No.	8A				
Port size	Rc1/4				
No. of port	3		5		
Medium	Air				
Operating pressure range	0~0.8 MPa				
Proof pressure	1 MPa				
Effective orifice	18 mm ²				
Pilot pressure range	(0.3 × P* + 0.1)~0.8 MPa				
Ambient temperature	-5~+60°C (No freezing)				
Weight	122 g	134 g	106 g	134 g	179 g

※ P: Operating pressure.

Order example

MVAA - 220M - 4A2C - NC - G

MODEL

BODY WIDTH

Blank: Body ported type
M: Manifold type

3: 3way(3port)
4: 4way(5port)

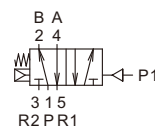
A1: Single pilot
A2: Double pilot

NC: Normally closed
NO: Normally open
(Only for 3A1 type)

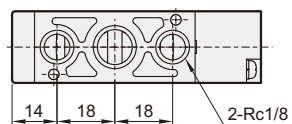
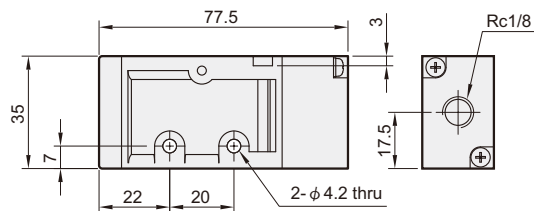
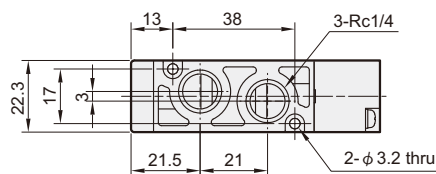
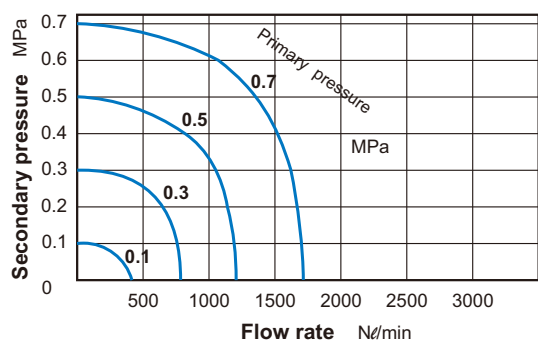
C: Closed center
P: Pressure center
R: Exhaust center
(Only for 4A2 type)

PORT THREAD
Blank: Rc thread
G: G thread
NPT: NPT thread

MVAA-220-4A1



Flow features

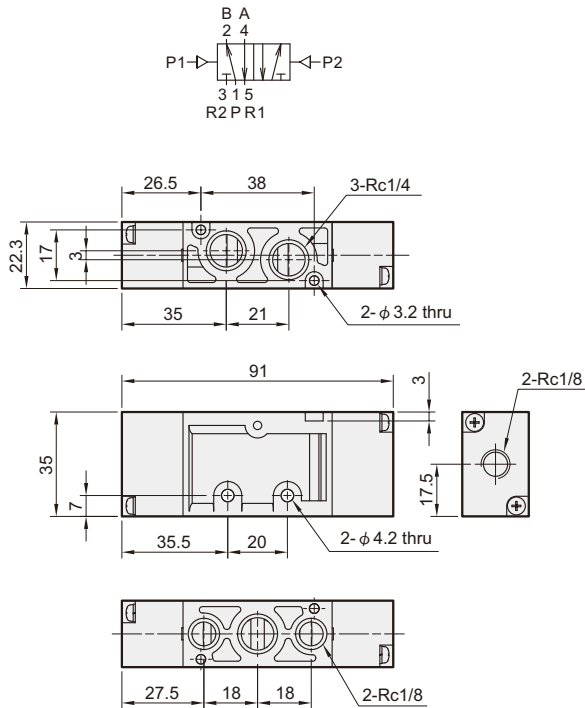


MVAA-220 Dimensions

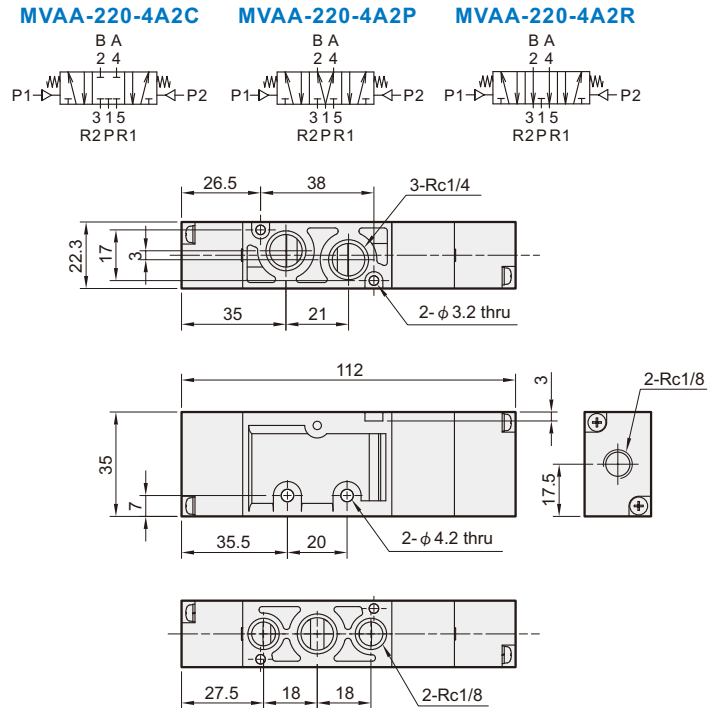
PILOT VALVE



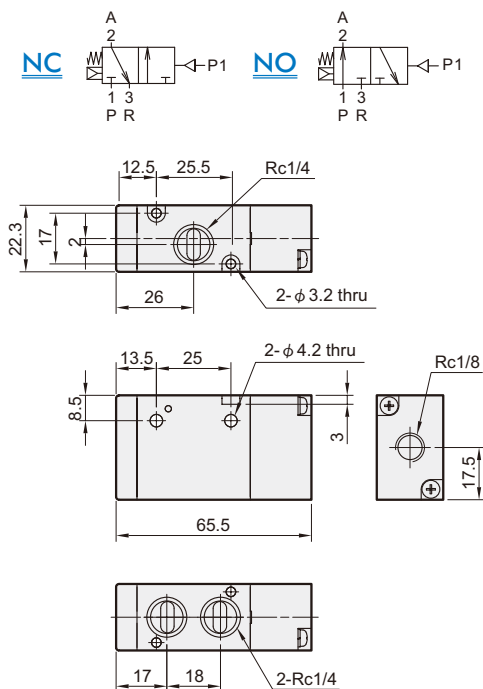
MVAA-220-4A2



MVAA-220-4A2C.P.R



MVAA-220-3A1-NC/NO



MVAA-220-3A2

