

# MVSD1-180 series

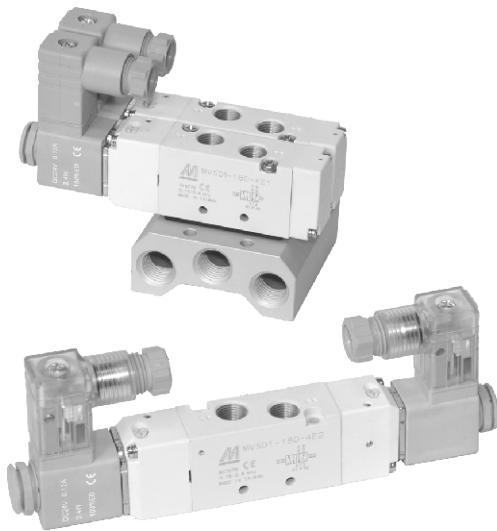
## SOLENOID VALVE



Mindman

### Specification

Model	4E1	4E2	4E2C.P.R
Bore No.	6A		
Port size	Rc1/8		
No. of port	5		
No. of position	2	3	
Medium	Air		
Operating pressure range	0.15~0.8 MPa		0.2~0.7 MPa
Operating pressure (LP)	0~0.8 MPa		0~0.7 MPa
External pilot pressure (LP)	0.15~0.8 MPa		0.2~0.7 MPa
Proof pressure	1 MPa		
Effective orifice	12 mm <sup>2</sup>		9 mm <sup>2</sup>
Response time	30 ms		
Ambient temperature	-5~+50°C (No freezing)		
Voltage	AC110V, 220V (50/60)Hz, DC24V		
Power consumption	AC=3.7/ 3.1VA, DC=2.9W		
Available voltage range	±10%		
Insulation class	F class		
Weight	124 g	176 g	190 g



### Order example of valve

MVSD1 - 180 - 4E2C - AC110 - L - LP - G

MODEL

BODY WIDTH

VOLTAGE

AC220V(50/60)Hz  
AC110V(50/60)Hz  
DC24V

LP: External pilot

PORT THREAD

Blank: Rc thread  
G: G thread  
NPT: NPT thread

4: 4 way(5 port)

E1: Single Solenoid  
E2: Double Solenoid

C: Closed center  
P: Pressure center  
R: Exhaust center  
(Only for 4E2 type)

Blank: DIN connector  
L: DIN connector with LED indicator  
W: Lead wire

### Order example of manifold

MVSD1 - 180 - 5B3 - G

MODEL

MANIFOLD

5B: 5 port (for body ported type)

MANIFOLD NUMBER

1, 2, 3...

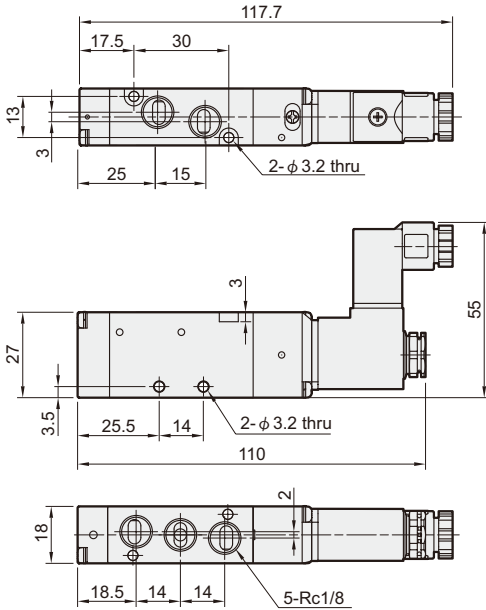
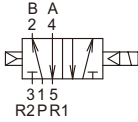
PORT THREAD

Blank: Rc thread  
G: G thread  
NPT: NPT thread

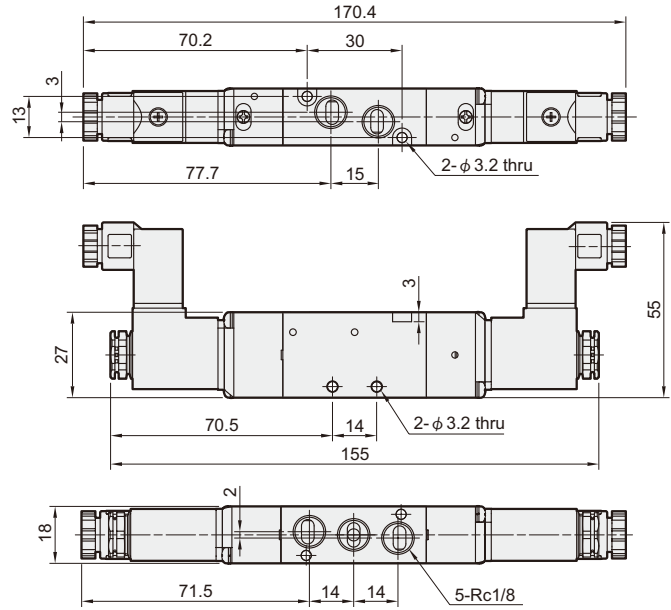
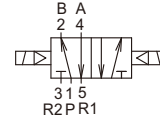
# MVSD1-180 Dimensions

## SOLENOID VALVE

### MVSD1-180-4E1

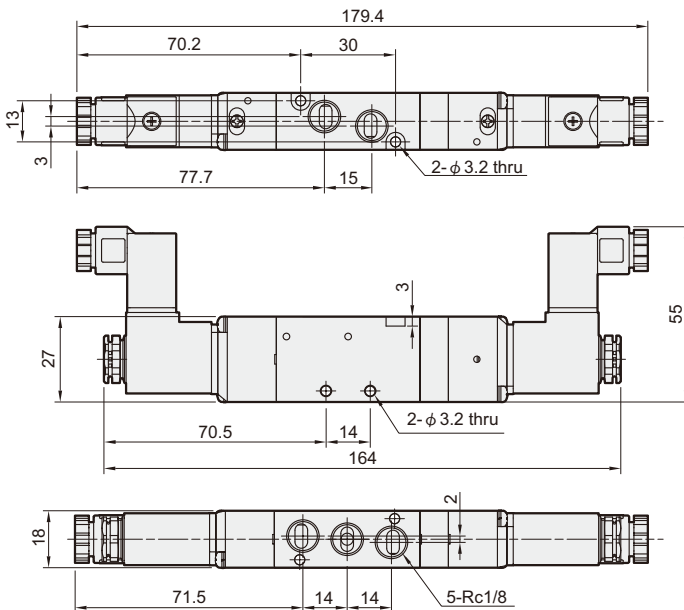
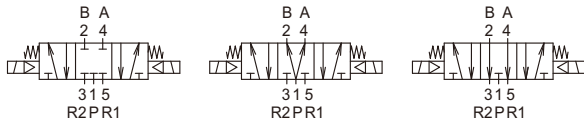


### MVSD1-180-4E2

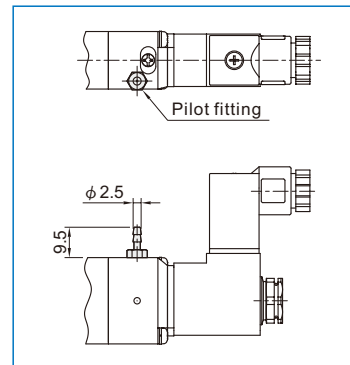


### MVSD1-180-4E2C.PR

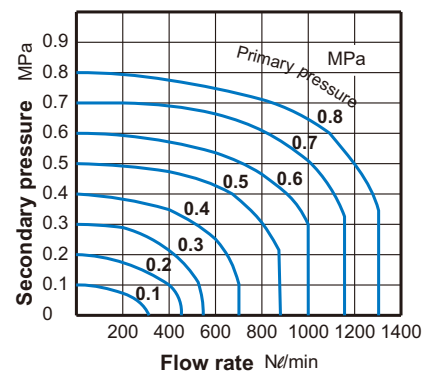
#### MVSD1-180-4E2C MVSD1-180-4E2P MVSD1-180-4E2R



### LP



### Flow features



# MVSD1-180 Manifold

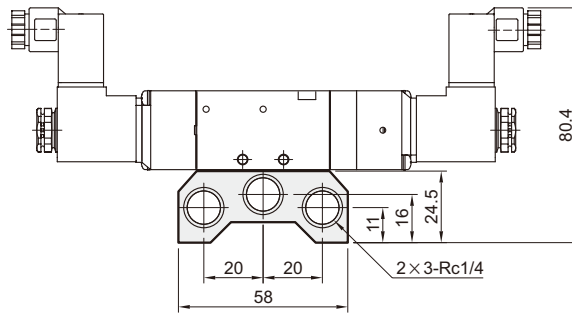
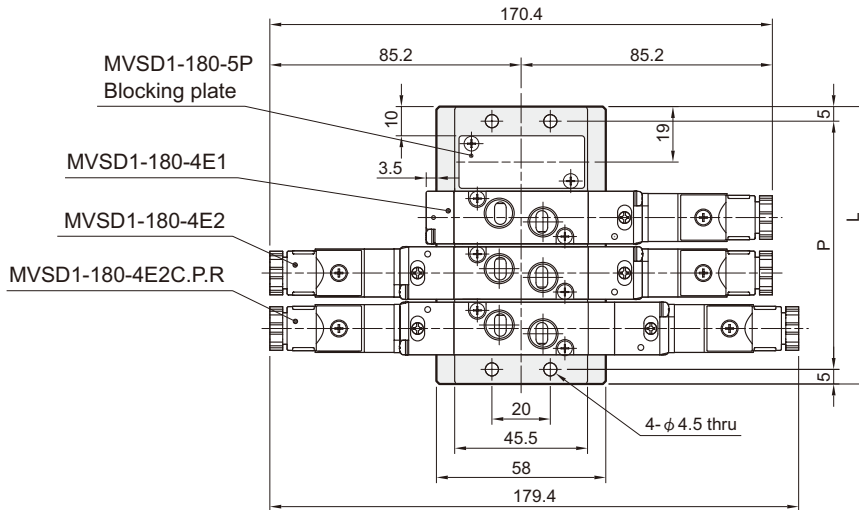
SOLENOID VALVE



Mindman

## MVSD1-180-5B\*

5 port (for body ported type)



No. of stations	P	L
2	47	57
3	66	76
4	85	95
5	104	114
6	123	133
7	142	152
8	161	171
9	180	190
10	199	209