

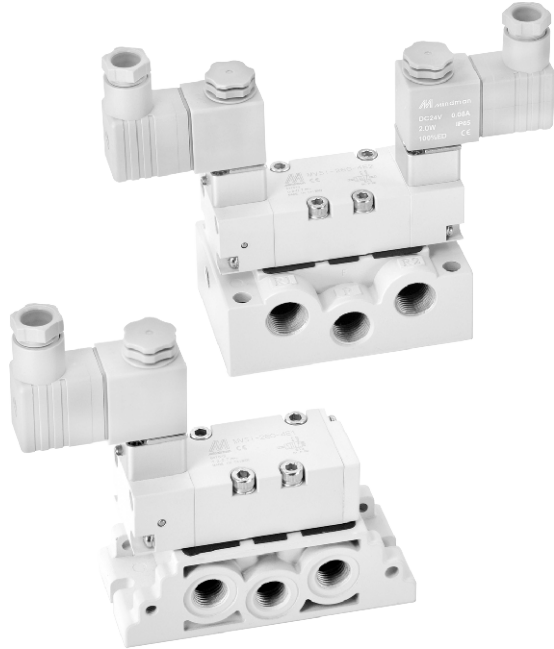
MVSI-260 series

ISO-1 SOLENOID VALVE



Mindman

Specification



Model	4E1	4E2	4E2C.P.R
No. of port	5		
No. of position	2	3	
Medium	Air		
Operating pressure range	0.2~0.7 MPa		0.3~0.7 MPa
Proof pressure	1 MPa		
Effective orifice	22 mm ²		20 mm ²
Response time	40 ms		
Ambient temperature	-5~+50°C (No freezing)		
Voltage	AC110V, 220V (50/60)Hz, DC24V		
Power consumption	AC=6/4.9VA, DC=2.5W		
Available voltage range	±10%		
Insulation class	F class		
Weight	312 g	422 g	572 g

Order example of valve

MVSI - 260 - 4E2C - AC110 - L

MODEL

BODY WIDTH

4: 4 way(5 port)

E1: Single Solenoid
E2: Double Solenoid

C: Closed center
P: Pressure center
R: Exhaust center
(Only for 4E2 type)

VOLTAGE
AC220V(50/60)Hz
AC110V(50/60)Hz
DC24V

Blank: DIN connector
L: DIN connector with LED indicator
E: Explosion protection (Table 1)
(E type use black coil)

Table 1
Property for explosion-proof type

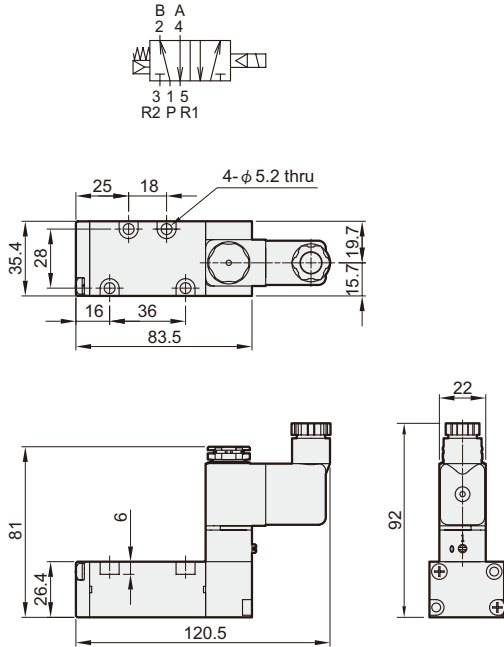
Anti-explosion class	EEx m II T4
Voltage	AC110V, 220V,(50/60)Hz, DC24V.
Power consumption	AC=4.4VA DC=5W
Available voltage range	±10%
Insulation class	F class

MVSI-260 Dimensions

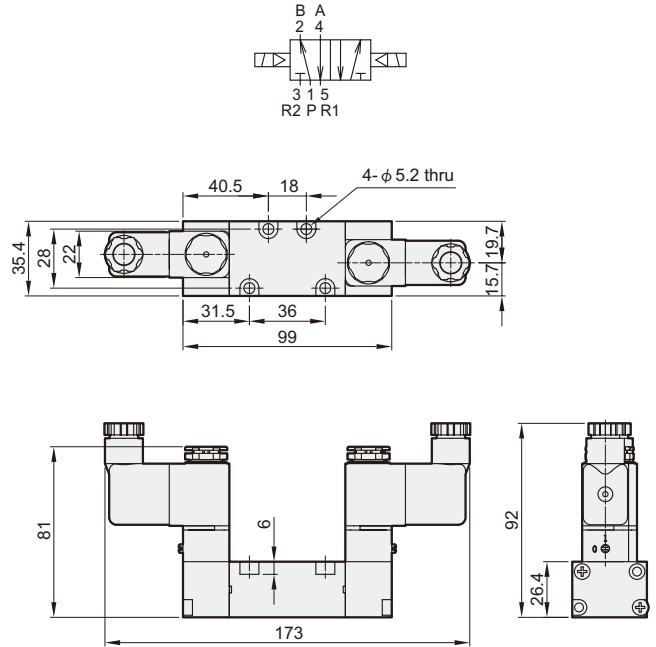
ISO-1 SOLENOID VALVE



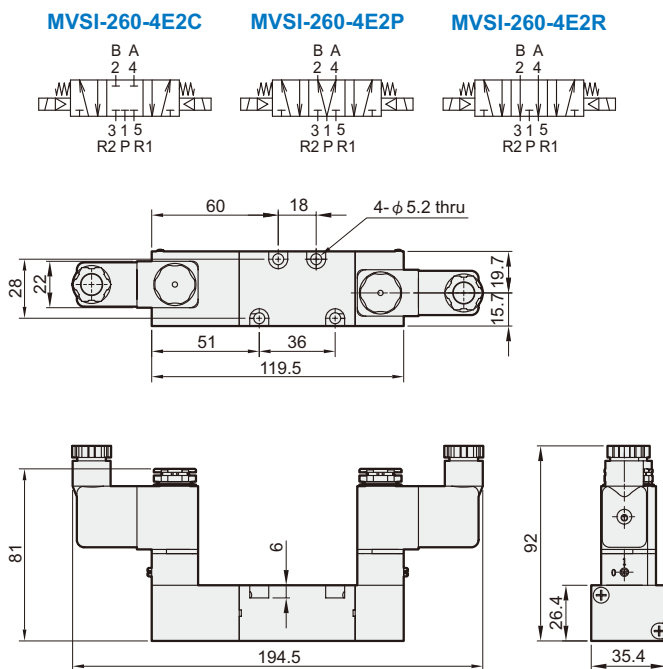
MVSI-260-4E1



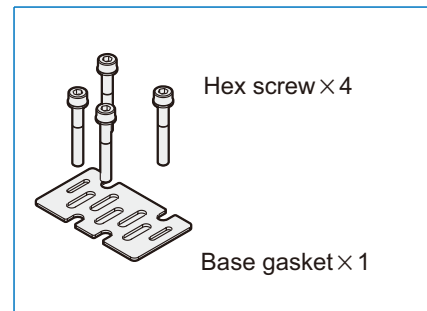
MVSI-260-4E2



MVSI-260-4E2C.P.R



Accessories



Flow features

