

# MWA / MWH / MWS series

2/2 WAY N.C. PISTON TYPE SOLENOID VALVE



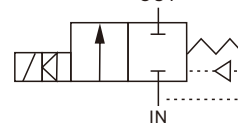
## Specification

- IP65 waterproof coil
- Ex coil is EExm II T4 PTB approval.
- Ambient temp.: -15 ~ 50 °C
- Voltage tolerance: ± 8%
- Installing position is free.(You'd better put the coil upright.)

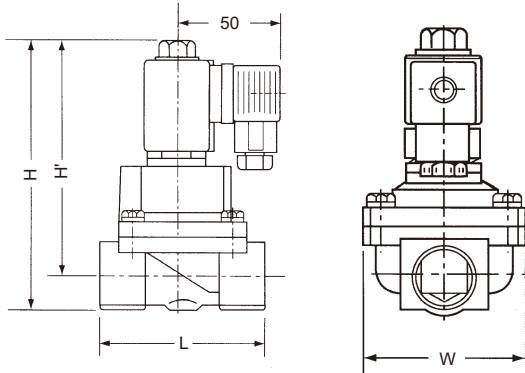
## MWA/H/S Normally close

Pilot piston series

2/2 N.C.



Power consumption			
Coil power	4	5	3E
AC(VA)	17.6/15.4	33/23	9.2
DC(W)	15	18.5	10



Model	MWA/H/S				
	Code Dimension (mm)	10/15	20	25	32/40
L	71	80	90	97	118
H	136	141	148	171	191
H'	122	114	127	142	156
W	51	61	71	76	95
N.W.(Kg)	1.3	1.5	1.9	2.9	4.5

## Order example

MWA-10-N-4-□-F-AC110

MODEL  
MWA  
MWH  
MWS

SEAL MAT'L  
N : NBR  
V : VITON  
T : TEFLON (※1)

PLUG  
□ : DIN  
D : LED  
G : 1/2" NPT  
Y : Single frequency

VOLTAGE  
AC220V(50/60)Hz  
AC110V(50/60)Hz  
DC24V

CODE  
10, 15, 20, 25,  
32, 40, 45, 50

COIL  
4: #4  
5: Bigger  
3E: Explosion-Proof (※2)

CONN.  
□: Screwed  
F: Flanged  
RF: Raised face flanged (Custom order)

※1. When the seal material is (T) TEFLON, the valve has slight leakage.

※2. Explosion-Proof (3E) coil with LED (D) plug is not applicable.

### Specification

Model <b>MWA</b> : Forged brass body ,normally close, for air. water.light oil.gas etc.														
PIPE G	Code no.	Seal mat'l	Coil	Orifice mm	Temp. °C		Max. O.P.D. bar(min. 0.5bar)				CV			
					Coil 4/5/3E		Coil 4		Coil 5			Coil 3E		
					N		AC/DC		AC/DC			AC/DC		
3/8	10	N	4 、 5 、 3E	15	-5 ? 80			12	6	16	10	7	4	3.0
1/2	15			4.0										
3/4	20			6.8										
1	25			11.0										
1-1/4	32			16.0										
1-1/2	40			21.0										
	45			26.0										
2	50			31.0										

Model <b>MWH</b> : Forged brass body ,normally close, for heavy oil. high viscosity fluids (Max. 120 cst) etc.														
PIPE G	Code no.	Seal mat'l	Coil	Orifice mm	Temp. °C		Max. O.P.D. bar(min. 0.5bar)				CV			
					Coil 4/5/3E		Coil 4		Coil 5			Coil 3E		
					V		AC/DC		AC/DC			AC/DC		
3/8	10	V	4 、 5 、 3E	15	-10 ? 145			7	3	15	10	5	3	3.0
1/2	15			4.0										
3/4	20			6.8										
1	25			11.0										
1-1/4	32			16.0										
1-1/2	40			21.0										
	45			26.0										
2	50			31.0										

Model <b>MWS</b> : Forged brass body ,normally close, for steam. high temp.fluids etc.														
PIPE G	Code no.	Seal mat'l	Coil	Orifice mm	Temp. °C		Max. O.P.D. bar(min. 0.5bar)				CV			
					Coil 4	Coil 5/3E	Coil 4		Coil 5			Coil 3E		
					T	T	AC/DC		AC/DC			AC/DC		
3/8	10	T	4 、 5 、 3E	15	-10 ? 155	-10 ? 185		5	3	10	7	5	3	3.0
1/2	15			4.0										
3/4	20			6.8										
1	25			11.0										
1-1/4	32			16.0										
1-1/2	40			21.0										
	45			26.0										
2	50			31.0										