

Caution

- In order to prolong operating life, it is better to allocate pipe horizontally and coil to face upward.
- Voltage drop range is within $\pm 10\%$.
- Pressure of voltage DC is 70% of voltage AC only.
- Combined diaaphragm design assures no breaking.
- Fluid temp. $-10 \sim +80\text{ }^{\circ}\text{C}$ (Naphtha $120\text{ }^{\circ}\text{C}$)

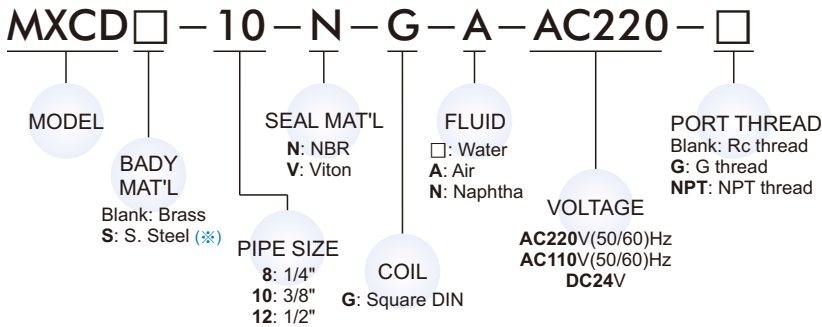
Not for fluid of

- Liquid when heat, solid when cool.
- Corrosive fluid.
- Viscosity over 50 cst.

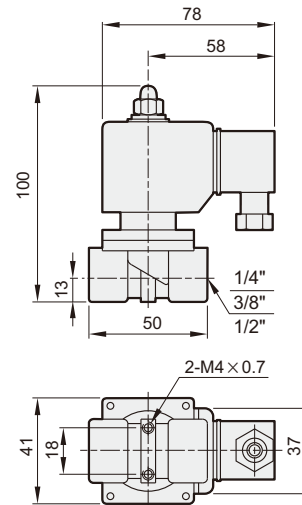
Weight

Model	MXCD		
Code	8	10	12
N.W.(Kg)	0.61	0.60	0.59

Order example



※ Stainless steel material is custom-made.



Specification

Model MXCD: Forged brass body, for water, air, naphtha.							
Code (Port size)	Seal mat'l	Orifice (mm)	Max. operating pressure diff. (0~ bar)				Cv
			Water	Air	Naphtha	acid & alkali (S. Steel)	
8(1/4")	N	11	0.3~20	0.3~20	0.3~20	0.2~20	2.4
10(3/8")	V	12	0.3~20	0.3~20	0.3~20	0.2~20	2.7
12(1/2")	V	12	0.3~20	0.3~20	0.3~20	0.2~20	2.7